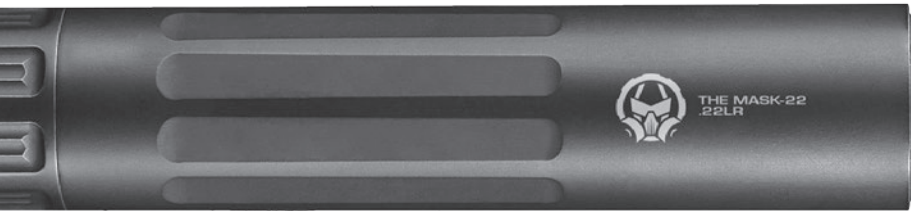


The Mask .22

# DEAD AIR

turn up the silence.™

**OWNER'S MANUAL**



## WELCOME TO DEAD AIR ARMAMENT®

Thank you for purchasing our products and supporting the Second Amendment. Our company was co-founded by one of the industry's true icons Mike Pappas and is supported through distribution and manufacture by BPI Outdoors, an industry leader in OEM manufacturing. The goal of our company is simply to make the best firearm sound suppressors on the market. Every suppressor is manufactured in Lawrenceville Georgia, USA, by American craftsman utilizing the finest materials. As Mike says "We wouldn't have it any other way, we want the best products made by Americans for Americans". That said, it's our customers that make our products possible and we appreciate each and every one of you that have supported us. The products are only as good as the customer service supporting them. We place an absolute premium on customer service. We expect and demand that our customers receive prompt and rewarding care and support. Feel free to contact us with any questions or concerns and thank you once again for your support.



## TABLE OF CONTENTS

<b>PRODUCT OVERVIEW</b>	<b>4</b>
<b>INSTALLATION</b>	<b>5</b>
<b>BREAK IN</b>	<b>8</b>
<b>DISASSEMBLY &amp; CLEANING</b>	<b>8</b>
<b>DISCLAIMER</b>	<b>10</b>
<b>WARRANTY</b>	<b>10</b>
<b>LAWFUL USE AND POSSESSION</b>	<b>11</b>
<b>CONTACT INFORMATION</b>	<b>11</b>



**FIREARMS ARE DANGEROUS! REVIEW THIS OPERATOR'S MANUAL IN FULL BEFORE USING YOUR SUPPRESSOR. FAILURE TO FOLLOW THE INSTRUCTIONS LISTED BELOW COULD RESULT IN DAMAGE TO YOUR FIREARM AND/OR SERIOUS PERSONAL INJURY OR DEATH. DO NOT ATTEMPT TO USE YOUR FIREARM AND/OR SUPPRESSOR UNTIL YOU HAVE THE PROPER TRAINING TO DO SO.**

## 1. PRODUCT OVERVIEW:

The Mask is ruggedly constructed and machined from a combination of titanium, steel, and aluminum. The Mask is designed with a premium placed on overall sound reducing performance and ease of maintenance.

### Mask dB Reduction\*

Barrel	Unsuppressed	Suppressed	Reduction
4.4" Pistol	154.6	115.1	39.5
16.1" Rifle	140.1	115.8	24.3

#### Test Equipment

G.R.A.S ¼" Pressure microphone Type 40BD // G.R.A.S 1/4" CCP Preamplifier Type 26CB // National Instruments NI USB-4432 - DAQ 102.4 kS/s, 24 Bits, ±40 V, IEPE // National Instruments - LabVIEW software

Among the product's many design features, the Mask models offer a unique baffle arrangement supported by an innovative baffle design. The result of our proprietary design yields better overall performance coupled with much longer service intervals than normally experienced by other similar suppressors. The service life of our suppressor should exceed 100,000 rounds or more with normal care and usage. Service intervals between disassembly and cleaning should exceed 2000 rounds or more depending on the type of ammunition that you shoot. We recommend that you clean the suppressor every 500-1000 rounds in order to simplify the cleaning effort.



**CHECK YOUR WEAPON'S CHAMBER AND MAKE CERTAIN THAT THE WEAPON IS UNLOADED AND THE MAGAZINE REMOVED BEFORE PROCEEDING ANY FURTHER. IF THERE IS ANY QUESTION OR DOUBT, CONSULT THE OPERATOR'S MANUAL APPLICABLE TO YOUR FIREARM AS TO THE PROPER PROCEDURE FOR CLEARING AND/OR UNLOADING YOUR WEAPON. DO NOT INSTALL YOUR NEW SUPPRESSOR ON A FIREARM WITH A CLOSED ACTION!**

## 2. INSTALLATION:

### GENERAL CONSIDERATIONS:

**Ammunition:** Ammunition will have a huge influence on how your new suppressor functions. Use good quality factory new ammunition in your firearm. Avoid using wildcat or reloaded ammunition as they may void your warranty. Aguila SSS 60 grain .22 LR ammunition will increase the need for more frequent service to your suppressor and is not generally recommended with our products.

**Solvents and Lead Exposure:** Exposure to toxic materials can occur while operating a firearm, take certain precautionary steps on a regular basis. Washing of hands and exposed skin is a good practice. Solvents and lead can cause a variety of short and long term health issues so be careful. It is common practice to clean .22 suppressors in a bath or "dip" utilizing a mixture of hydrogen peroxide and vinegar. This dip is effective in terms of cleaning accumulated lead and carbon deposits, however, unprotected exposure to your skin can cause serious health issues including lead poisoning. Consult a physician if you are exposed and take all necessary safety steps to avoid exposure including protective eyewear, and nitrile gloves. Ensure any solvent or dissolved lead is disposed of properly in accordance with local ordinances. NOTE: DO NOT PLACE ANY ALUMINUM COMPONENTS OR THE TUBE ITSELF INTO THE "DIP".

**Concentricity:** In order to reduce the risk of a baffle strike, it is important to ensure that your barrel threads are aligned concentrically with the bore axis of your host weapon's barrel. If you do not have the means to verify this it is strongly recommended that you have a competent gunsmith verify.

### STEP ONE: PREPARATION

Your suppressor is intended to be attached to the muzzle end of your firearm. Your suppressor will thread directly onto your existing ½-28 threads. The Mask will attach to threads up to .6 inches long, although a .4 inch long thread is optimal for sound performance and improved baffle life. We recommend checking tightness periodically. All direct thread suppressors will loosen with use. A loose suppressor mount will shift the point of impact because of the effect on the host weapon's barrel harmonics and the loss of concentricity. Do not over tighten the suppressor with any assorted tools or wrenches as such actions may result in damage to your firearm, the suppressor, or both. It is, however, recommended that you lightly tighten the threaded back cap with a hand tool to the tube to ensure it doesn't loosen upon removal from the host firearm when threaded barrel is recessed within a shroud or handguard. Hand tightening the suppressor onto the barrel is sufficient. Before installation, ensure the threads of the host firearm's barrel are clean and lubed before carefully threading the suppressor onto the muzzle end of your firearm. Take care not to cross thread or force the suppressor to thread onto the firearm. In the event that the suppressor does not smoothly thread onto your firearm stop the installation process and immediately contact our Customer Service Department for further instruction. Once the suppressor starts to thread onto the firearm, firmly tighten it until it the back of the silencer squarely bottoms out on the shoulder of the barrel.



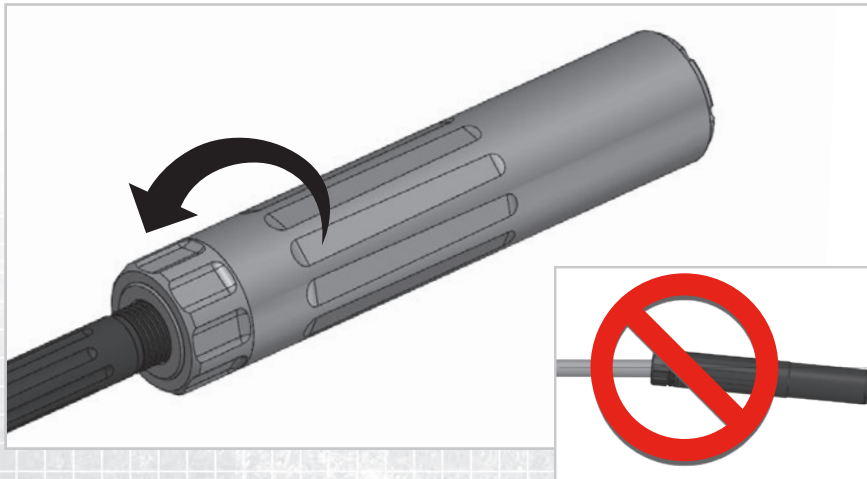
**IF THE SUPPRESSOR DOES NOT SMOOTHLY THREAD ONTO YOUR FIREARM STOP THE INSTALLATION PROCESS AND CONTACT OUR CUSTOMER SERVICE DEPARTMENT. FAILURE TO PROPERLY INSTALL YOUR SUPPRESSOR COULD RESULT IN SERIOUS INJURY, DAMAGE TO THE SUPPRESSOR, THE HOST WEAPON, THE USER, AND/OR A THIRD PARTY.**



**OUR PRODUCTS ARE CALIBER SPECIFIC. UNLESS STATED OTHERWISE ON THE SUPPRESSOR ITSELF OR ON THE PACKAGING, THE .22 SUPPRESSOR WILL NOT FUNCTION SAFELY WITH ANY CARTRIDGE WITH PRESSURES HIGHER THAN FN 5.7X28MM. THIS PRODUCT CANNOT BE USED WITH ANY CALIBER GREATER THAN A .22 BORE DIAMETER. USE OF YOUR SUPPRESSOR OUTSIDE OF ITS INTENDED SCOPE COULD RESULT IN DAMAGE TO YOUR FIREARM, DAMAGE TO PROPERTY, BODILY INJURY, OR DEATH. DO NOT FIRE HIGH PRESSURE CENTERFIRE CARTRIDGES THROUGH YOUR .22 SUPPRESSOR. IF YOU ARE UNCERTAIN ABOUT THE DIFFERENCES BETWEEN RIMFIRE AND CENTERFIRE AMMUNITION, CONTACT THE MANUFACTURER OF THE AMMUNITION THAT YOU INTEND TO USE.**

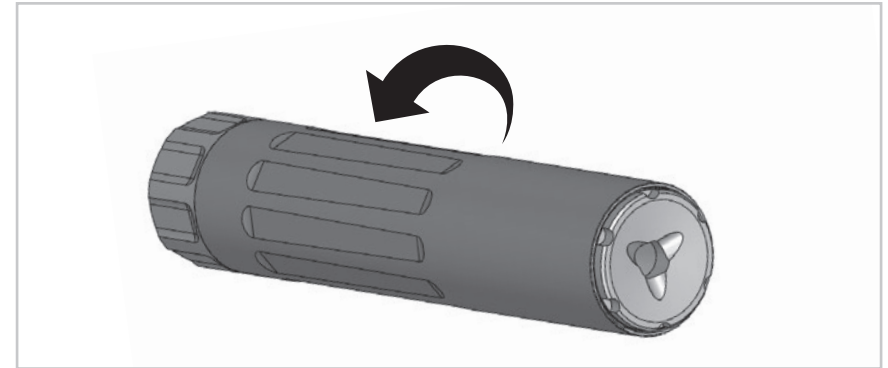
## STEP TWO: MOUNTING INSTALLATION

The suppressor can only go on one way and come off one way. Before use, make sure that the suppressor is firmly and rigidly mounted to the firearm. Failure to do so could result in damages to your firearm and damage to the suppressor. Visually inspect the suppressor after it is mounted in order to confirm that it is mounted straight to the centerline of the bore and is otherwise not canted. If the suppressor is not in line with the bore immediately stop the installation process and contact our Customer Service Department. Use of the suppressor while improperly mounted could cause irreparable harm to your suppressor and will cause poor performance and reduced accuracy.



## STEP THREE: REMOVING THE SUPPRESSOR

To remove the suppressor simply rotate the body / end cap of the suppressor counter-clockwise until it begins to unthread from the muzzle of the host weapon. Be careful! The suppressor may become extremely hot after use. Never grab a hot suppressor as it can result in burns and injury. When removing the suppressor after use always grab the suppressor with the Nomex sock, provided, in a manner so as to avoid direct contact with your skin.



**WHEN REMOVING THE SUPPRESSOR FROM YOUR FIREARM BE EXTREMELY CAUTIOUS AS THE TEMPERATURE OF THE SUPPRESSOR COULD CAUSE BURNS AND OR PERSONAL INJURY TO THE USER. MAKE SURE TO EITHER USE PROTECTIVE CLOTHING OR WAIT UNTIL THE SUPPRESSOR COOLS BEFORE ATTEMPTED REMOVAL. YOUR SUPPRESSOR WAS PACKED WITH A PROTECTIVE NOMEMX SOCK INTENDED TO AID AND ASSIST IN THE REMOVAL OF YOUR SUPPRESSOR AFTER USE. ALTHOUGH IT IS ADVISABLE TO USE THE SOCK IN ORDER TO PROTECT AGAINST BURNS AND INJURY, PRECAUTIONS MUST STILL BE TAKEN TO AVOID SUCH INJURIES SO EXERCISE CARE WHEN ATTEMPTING TO REMOVE A HOT SUPPRESSOR.**



**DO NOT OPERATE YOUR SUPPRESSOR UNDER ANY CIRCUMSTANCES IF IT IS NOT PROPERLY MOUNTED ON THE FIREARM! TO DO SO COULD RESULT IN SERIOUS DAMAGE, DEATH AND/OR INJURY TO THE OPERATOR AND THIRD PARTIES. IT WILL RESULT IN DAMAGE TO THE SUPPRESSOR AND WILL GROSSLY AFFECT PERFORMANCE AND/OR ACCURACY.**



### 3. BREAK IN:

Once your suppressor is properly mounted it may require some minimal break in. First shot cold performance is reduced until the suppressor accumulates some residue. This is normal and generally resolves itself after the first 15-20 shots. Thereafter the suppressor will perform at an optimal level without further break in requirements until it is cleaned again. The type of ammunition that you use and the atmospheric conditions present when you shoot the weapon can have a huge influence over performance.

### 4. DISASSEMBLY & CLEANING:

Typically there is very little maintenance needed with respect to your suppressor other than to keep the threads clean and to wipe down the outside with good quality gun oil. The suppressor has a Nitride and Cerakote™ exterior finish. The finish is extremely durable but some care should be taken concerning exposure to various solvents. Always test a small area before applying a solvent to the suppressor as a whole. Depending on the type of ammunition that you use, your suppressor should not require disassembly and cleaning for up to 2000 rounds.

#### STEP ONE

To disassemble your suppressor, first remove it from the host weapon and then remove the front cap with the provided tool. Ensure the tool is fully inserted into the tool features on the cap before turning counter-clockwise.

#### STEP TWO

Remove the back end cap by turning counter-clockwise. If tightened with a hand tool, the use the same tool to loosen.

#### STEP THREE

With both caps removed, simply push the baffle stack out of the tube. A wooden rod or similar instrument may be helpful. Do NOT use a screw driver for this step as it may damage your baffles thereby effecting the performance of your suppressor, or worse, causing damage to the bore of the baffle(s) which could induce baffle strikes and a general loss of accuracy.

#### STEP FOUR

With the baffles removed, they can now be cleaned in a commercial firearm's solvent bath, tumbling in stainless steel media, ultrasonically cleaned, or by using of the "dip" previously discussed.

### 5. REASSEMBLY:

NOTE: ENSURE ALL THREADS AND BAFFLE ASSEMBLY CONTACT POINTS ARE CLEAN AND FREE OF DEBRIS. IT IS RECOMMENDED THAT YOU APPLY A LIGHT COAT OF GREASE TO THE THREADS AND BAFFLE CONTACT POINTS, INCLUDING ON THE EXTERIOR OF THE BAFFLE WHERE IT WILL CONTACT THE INSIDE OF THE TUBE.

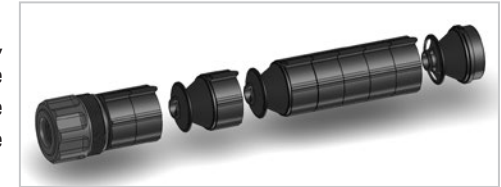
#### STEP ONE

Fully insert the blast shroud into the back cap and then nest the blast baffle into the blast shroud. Note that there is a protruding tab in the blast shroud and a corresponding slot in the blast baffle. Ensure tab is aligned and fully inserted.



#### STEP TWO

Insert a primary baffle into the blast baffle, ensuring the tab aligns into the slot of the baffle. Continue this process with the remaining primary baffles, ending with the final baffle that doesn't have a tab.



#### STEP THREE

Slip the end of the tube with the flats closest to its edge over the baffle assembly and thread onto the back cap. If the suppressor is going to be used on a firearm where the muzzle of the barrel is under a shroud, it is recommended that you use an adjustable wrench to lightly tighten the back cap into the tube.



#### STEP FOUR

Thread the front cap into the other side of the tube. Use the provided tool to lightly hand tighten it into place. You should feel it contact the final baffle. The front cap may sit from close to flush up to 1/8" from the end of the tube. If threads are fully visible, then the baffle stack may not be assembled completely. Any questions concerning the performance or care of your suppressor should be directed to our Customer Service Department 844-293-6778.



## 6. DISCLAIMER:

The manufacturer is not responsible for damages or injuries due to the misuse or unintended use of its products. This product is potentially dangerous and, as such, adequate safety precautions must be taken in order to avoid damage to your firearm, damage to third parties, bodily injury or death. Please consult our website for further details at:

[WWW.DEADAIRSILENCERS.COM](http://WWW.DEADAIRSILENCERS.COM) OR CALL 844-293-6778

## 7. WARRANTY:

There is a limited lifetime warranty against all manufacturing defects and damages caused by the normal use of this product. The manufacturer will repair or replace free of charge any suppressor manufactured by or, at the direction of, Sound Moderation Technologies. The product is sold "as is" with no further implied contractual rights or warranties beyond those expressly stated herein.

The warranty does not apply to certain conditions or acts. It is at the sole discretion and determination of Sound Moderation Technologies if a particular defect or condition is covered by this Warranty. Conditions not covered include, but are not limited to: Modifications, Abuse, Neglect, Use of Defective Ammunition, Use of Improperly Sized Ammunition, and Criminal Conduct. Sound Moderation Technologies assumes no liability for damages or bodily injury caused by such acts or omissions as previously described. Abuse and Neglect are defined as usage outside of the reasonable scope for which the product is intended thus contributing to the accelerated and unreasonable premature wear of the suppressor itself.

If a repair is indicated then the owner must contact our Customer Service Department at 844-293-6778. A Dead Air Armament representative will make arrangements for return of the suppressor at manufacturer's shipping expense. **DO NOT SHIP THE SUPPRESSOR FOR REPAIR WITHOUT FIRST CONTACTING CUSTOMER SERVICE AND DO NOT SHIP IN ANY EVENT WITHOUT A COPY OF THE APPROVED BATF FORM.** When you ship the suppressor back to the manufacturer, please include a detailed statement concerning the type of defect or malfunction encountered and describe the ammunition used and type of host weapon the product was used on or attached.

If for any reason that your suppressor is not eligible for repair or replacement, you may purchase a replacement suppressor for 50% off the MSRP for a same or similar suppressor.

## 8. LAWFUL USE AND POSSESSION:

Your new suppressor is an NFA weapon and is not legal to own or possess in certain jurisdictions. Neither Sound Moderation Technologies nor BPI Outdoors offers any express or implied promises or affirmations concerning the use, possession, or ownership of your suppressor. If you have any questions concerning the ownership, possession, or use of your suppressor contact the chief local law enforcement officer in the jurisdiction in which you reside or your local BATF office for further information concerning the ownership, use, and possession of NFA controlled weapons.

### HELPFUL OWNERSHIP INFORMATION

ALWAYS MAINTAIN A COPY OF THE APPLICABLE BATF DOCUMENTS TO YOUR SUPPRESSOR WITH THE SUPPRESSOR ITSELF WHENEVER TRANSPORTING OR USING YOUR SUPPRESSOR. FAILURE TO DO SO COULD RESULT IN CONFUSION, PROSECUTION, OR CONFISCATION OF YOUR NFA CONTROLLED WEAPONS. BETTER SAFE THAN SORRY.

## 9. CONTACT INFORMATION:

You can contact us directly by telephone at 844-293-6778 or visit our website at [www.deadairsilencers.com](http://www.deadairsilencers.com). Our mailing address is:

1270 Progress Center Ave Suite 100  
Lawrenceville, GA 30043

Thank you once again for supporting our products and feel free to contact us with any inquiries or concerns that you might have.





[deadairsilencers.com](http://deadairsilencers.com)

