

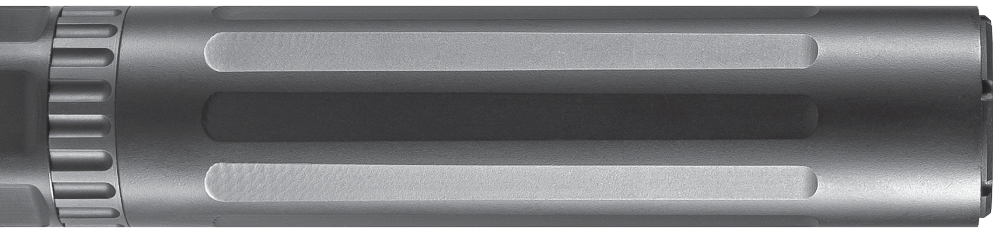


Ghost M

DEAD AIR

turn up the silence.™

OWNER'S MANUAL



WELCOME TO DEAD AIR SILENCERS

Thank you for purchasing our products and supporting the Second Amendment. Our company was co-founded by one of the industry's true icons Mike Pappas and is supported through distribution and manufacturing by our industry partners. The goal of our company is simply to make the best firearm sound suppressors on the market. Every suppressor is manufactured in the U.S.A. by American craftsmen utilizing the finest materials. As Mike says "We wouldn't have it any other way, we want the best products made by Americans for Americans". That said, it's our customers that make our products possible and we appreciate each and every one of you that have supported us. The products are only as good as the customer service supporting them. We place an absolute premium on customer service. We expect and demand that our customers receive prompt and rewarding care and support. Feel free to contact us with any questions or concerns and thank you once again for your support.

TABLE OF CONTENTS

PRODUCT OVERVIEW	4
INSTALLATION	5
BREAK IN	8
DISASSEMBLY & CLEANING	8
REASSEMBLY	10
WARRANTY	14
LAWFUL USE AND POSSESSION	15
CONTACT INFORMATION	15



FIREARMS ARE DANGEROUS! REVIEW THIS OPERATOR'S MANUAL IN FULL BEFORE USING YOUR SUPPRESSOR. FAILURE TO FOLLOW THE INSTRUCTIONS LISTED BELOW COULD RESULT IN DAMAGE TO YOUR FIREARM AND/OR SERIOUS PERSONAL INJURY OR DEATH. DO NOT ATTEMPT TO USE YOUR FIREARM AND/OR SUPPRESSOR UNTIL YOU HAVE THE PROPER TRAINING TO DO SO.

1. PRODUCT OVERVIEW:

The Ghost M is a modular, multi-caliber pistol/subgun suppressor that provides ultimate suppression in its full length configuration or an ultra-compact package with the removal of the front sound module. It utilizes class leading materials to bring a true balance of ultimate strength, light weight, suppression, and reduced back-pressure to the shooter.

Ghost dB Reduction

.45 Auto	Suppressed	Unsuppressed	Reduction
Full Length	131.8	162.2	-30.4
Full Length, Wet	125.0		-37.2
Short Length	142.6		-19.6
Short Length with Wipe	139.3		-22.9
Short, Wet	136.0		-26.2

9mm	Suppressed	Unsuppressed	Reduction
Full Length	127.6	161.9	-34.6
Full Length, Wet	123.5		-38.7
Short Length	139.4		-22.8
Short Length with Wipe	134.9		-27.3
Short, Wet	130.3		-31.9

Ammunition: HPR Emcon

Test Equipment: G.R.A.S ¼" Pressure microphone Type 40BD // G.R.A.S 1/4" CCP Preamplifier Type 26CB // National Instruments NI USB-4432 - DAQ 102.4 kS/s, 24 Bits, ±40 V, IEPE // National Instruments - LabVIEW software



CHECK YOUR WEAPON'S CHAMBER AND MAKE CERTAIN THAT THE WEAPON IS UNLOADED AND THE MAGAZINE REMOVED BEFORE PROCEEDING ANY FURTHER. IF THERE IS ANY QUESTION OR DOUBT, CONSULT THE OPERATOR'S MANUAL APPLICABLE TO YOUR FIREARM AS TO THE PROPER PROCEDURE FOR CLEARING AND/OR UNLOADING YOUR WEAPON. DO NOT INSTALL YOUR NEW SUPPRESSOR ON A FIREARM WITH A CLOSED ACTION!

2. INSTALLATION:

GENERAL CONSIDERATIONS:

Ammunition: Ammunition will have a huge influence on how your new suppressor functions. Use good quality factory new ammunition in your firearm. Dead Air Armament recommends the use of HPR ammunition.

Solvents and Lead Exposure: Exposure to toxic materials can occur while operating a firearm, take certain precautionary steps on a regular basis. Washing of hands and exposed skin is a good practice. Solvents and lead can cause a variety of short and long term health issues so be careful. If .22 ammo is used through the Ghost M, it is common practice to clean .22 suppressors in a bath or "dip" utilizing a mixture of hydrogen peroxide and vinegar. This dip is effective in terms of cleaning accumulated lead and carbon deposits, however, unprotected exposure to your skin can cause serious health issues including lead poisoning. Consult a physician if you are exposed and take all necessary safety steps to avoid exposure including protective eyewear, and nitrile gloves. Ensure any solvent or dissolved lead is disposed of properly in accordance with local ordinances. NOTE: DO NOT PLACE ANY ALUMINUM COMPONENTS OR THE TUBE ITSELF INTO THE "DIP".

Concentricity: In order to reduce the risk of a baffle strike, it is important to ensure that your barrel threads are aligned concentrically with the bore axis of your host weapon's barrel. If you do not have the means to verify this it is strongly recommended that you have a competent gunsmith verify.

STEP ONE: PREPARATION

Your suppressor is intended to be attached to the muzzle end of your firearm. It will thread directly onto your existing barrel, which will vary based on caliber, using either a threaded Piston, Fixed Mount, or 3-Lug adapter. We recommend checking tightness periodically. All direct thread suppressors will loosen with use. A loose suppressor mount will shift the point of impact because of the effect on the host weapon's barrel harmonics and the loss of concentricity. Do not over tighten the suppressor with any assorted tools or wrenches as such actions may result in damage to your firearm, the suppressor, or both. Hand tightening the suppressor onto the barrel is sufficient. Before installation, ensure the threads of the host firearm's barrel are clean and lubed before carefully threading the suppressor onto the muzzle end of your firearm. Take care not to cross thread or force the suppressor to thread onto the firearm. In the event that the suppressor does not smoothly thread onto your firearm stop the installation process and immediately contact our Customer Service Department for further instruction. Ensure suppressor is tightened all the way against the shoulder of the barrel. Longer threads will require the suppressor to seat on the muzzle and the back of the piston may not contact the shoulder. DO NOT thread onto barrels that don't have a proper shoulder to seat against, or muzzle face that is not cut square to the bore.



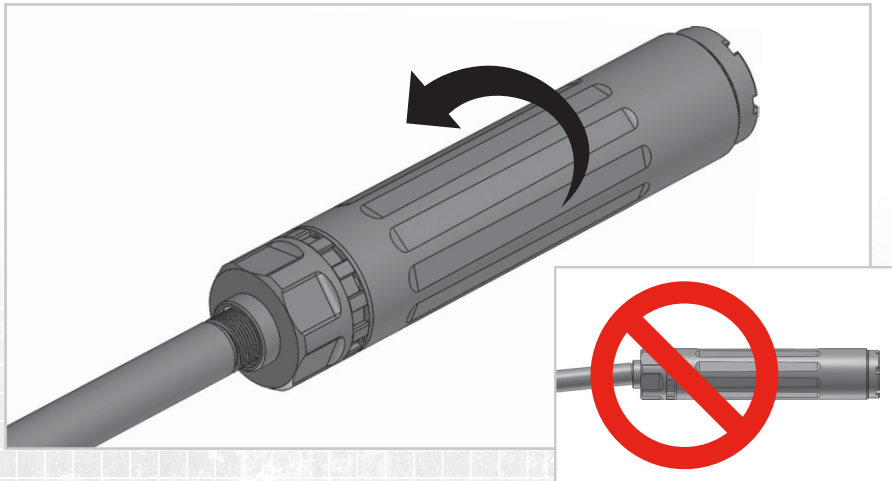
IF THE SUPPRESSOR DOES NOT SMOOTHLY THREAD ONTO YOUR FIREARM STOP THE INSTALLATION PROCESS AND CONTACT OUR CUSTOMER SERVICE DEPARTMENT. FAILURE TO PROPERLY INSTALL YOUR SUPPRESSOR COULD RESULT IN SERIOUS INJURY, DAMAGE TO THE SUPPRESSOR, THE HOST WEAPON, THE USER, AND/OR A THIRD PARTY.



OUR PRODUCTS ARE CALIBER SPECIFIC. UNLESS STATED OTHERWISE ON THE SUPPRESSOR ITSELF OR ON THE PACKAGING, THE GHOST 45 SUPPRESSOR WILL NOT FUNCTION SAFELY WITH ANY CARTRIDGE WITH PRESSURES HIGHER THAN 10MM OR 300BLK SUBSONIC OR CALIBER GREATER THAN .45. USE OF YOUR SUPPRESSOR OUTSIDE OF ITS INTENDED SCOPE COULD RESULT IN DAMAGE TO YOUR FIREARM, DAMAGE TO PROPERTY, BODILY INJURY, OR DEATH. DO NOT FIRE HIGH PRESSURE RIFLE CENTERFIRE CARTRIDGES THROUGH YOUR GHOST 45 SUPPRESSOR.

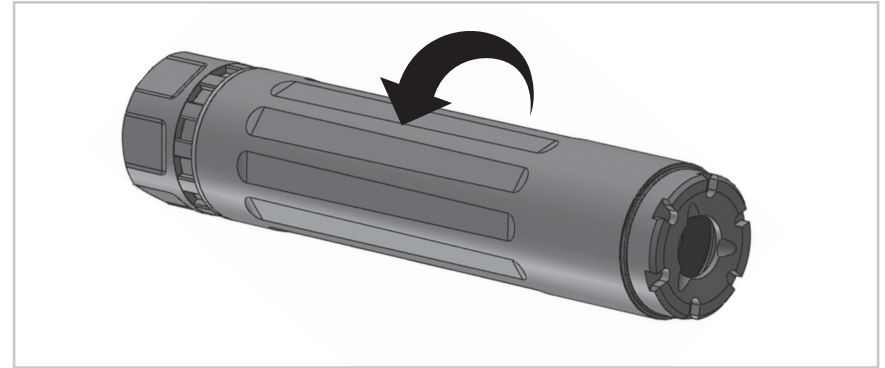
STEP TWO: MOUNTING INSTALLATION

The suppressor can only go on one way and come off one way. Before use, make sure that the suppressor is firmly and rigidly mounted to the firearm. Failure to do so could result in damages to your firearm and damage to the suppressor. Visually inspect the suppressor after it is mounted in order to confirm that it is mounted straight to the centerline of the bore and is otherwise not canted. If the suppressor is not in line with the bore immediately stop the installation process and contact our Customer Service Department. Use of the suppressor while improperly mounted could cause irreparable harm to your suppressor and will cause poor performance and reduced accuracy.



STEP THREE: REMOVING THE SUPPRESSOR

To remove the suppressor simply rotate the body/end cap of the suppressor counterclockwise until it begins to unthread from the muzzle of the host weapon. If a left hand metric piston/mount is used, then unscrew by rotating clockwise. Be careful! The suppressor may become extremely hot after use. Never grab a hot suppressor as it can result in burns and injury.



WHEN REMOVING THE SUPPRESSOR FROM YOUR FIREARM BE EXTREMELY CAUTIOUS AS THE TEMPERATURE OF THE SUPPRESSOR COULD CAUSE BURNS AND OR PERSONAL INJURY TO THE USER. MAKE SURE TO EITHER USE PROTECTIVE CLOTHING OR WAIT UNTIL THE SUPPRESSOR COOLS BEFORE ATTEMPTED REMOVAL. PRECAUTIONS MUST BE TAKEN TO AVOID SUCH INJURIES SO EXERCISE CARE WHEN ATTEMPTING TO REMOVE A HOT SUPPRESSOR.



DO NOT OPERATE YOUR SUPPRESSOR UNDER ANY CIRCUMSTANCES IF IT IS NOT PROPERLY MOUNTED ON THE FIREARM! TO DO SO COULD RESULT IN SERIOUS DAMAGE, DEATH AND/OR INJURY TO THE OPERATOR AND THIRD PARTIES. IT WILL RESULT IN DAMAGE TO THE SUPPRESSOR AND WILL GROSSLY AFFECT PERFORMANCE AND/OR ACCURACY.

3. BREAK IN:

Once your suppressor is properly mounted it may require some minimal break in. First shot cold performance is reduced until the suppressor accumulates some residue. This is normal and generally resolves itself after the first 15-20 shots. Thereafter the suppressor will perform at an optimal level without further break in requirements until it is cleaned again. The type of ammunition that you use and the atmospheric conditions present when you shoot the weapon can have a huge influence over performance.

4. DISASSEMBLY & CLEANING:

Typically there is very little maintenance needed with respect to your suppressor other than to keep the threads clean and to wipe down the outside with good quality gun oil. The suppressor has a Nitride, anodized and Cerakote™ exterior finish. The finish is extremely durable but some care should be taken concerning exposure to various solvents. Always test a small area before applying a solvent to the suppressor as a whole. Depending on the type of ammunition that you use, your suppressor should not require disassembly and cleaning of the baffles for up to 1000 rounds.

The Booster mechanism with the spring and piston should be cleaned every shooting session and the O-Ring inspected. Replacement O-Rings are size -018 and are available from Dead Air Silencers.

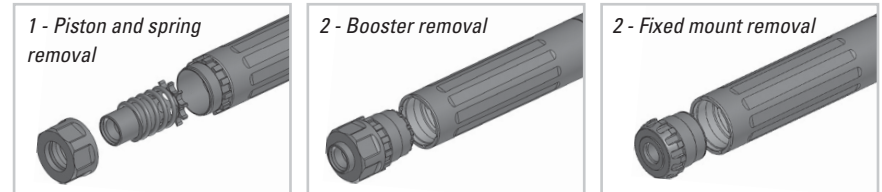
Shooting the suppressor “wet” will soften carbon buildup considerably inside the piston depending on the amount of buildup. To shoot the suppressor wet, pour a water bottle capful (or 3-5 CCs of water) down the piston and into the booster mechanism, mount to pistol, and shoot a magazine or two ammo through it. Much of the carbon can then be wiped out of the booster housing after the spring and piston are removed. The Booster Housing, Piston, and Spring can also be removed and submerged into carbon scrubbing chemicals to facilitate cleaning.

The stainless steel baffles in the main body of the silencer can be cleaned in a similar manner as the Booster mechanism.

The aluminum baffles and front cap found in the Module Tube should not require cleaning for thousands of rounds because of the lack of buildup that occurs in this area of the suppressor. These should be cleaned with mild chemicals that are friendly to anodized aluminum.

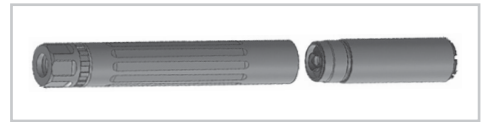
STEP ONE: REMOVE PISTON OR MOUNT

1. Unscrew the piston retainer and remove the Piston and Spring.
2. The complete booster mechanism may be removed with an AR-15 Castle Nut Wrench and replaced with a Fixed Mount or 3-Lug adapter for use on fixed barrels. Warning: Do not use the Booster Mechanism on fixed barreled firearms as the repeated impact will damage the firearm. Ensure mounts are secured with the castle nut wrench before use.



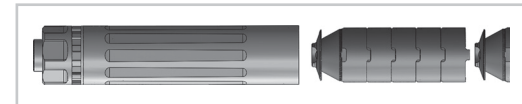
STEP TWO: REMOVE MODULE

Unscrew Module from the main body by turning counter-clockwise and remove Front Cap.

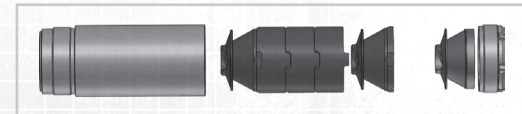


STEP TWO: REMOVE BAFFLES

MAIN TUBE: With the module tube removed, push out the baffles from the back of the suppressor where the Booster screwed in. Ensure the piston or the whole booster mechanism is removed to facilitate easily pushing the baffles out. A 5/8" wooden dowel and hammer can be used to gently tap the baffles out of the tube. The Main Tube contains five (5) full steel baffles and one (1) short steel baffle.



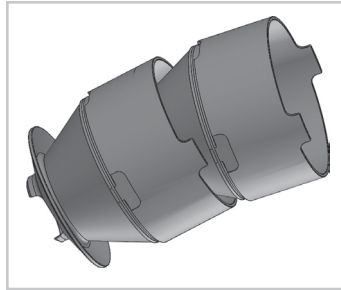
MODULE TUBE: Use the provided tool to remove the front Cap along with the steel Cap Baffle. Push on the exposed baffle at the back of the module to slide the baffles out the front of the tube. The Module Tube contains three (3) full aluminum baffles and one (1) short aluminum baffle. The final baffle is a steel “Cap Baffle” which travels with the cap whether you are running with the full configuration or the short configuration.



Note that each baffle stack (Main Tube and Module Tube) is a series of identical baffles with a “short” baffle at the end. The final baffle is steel and travels with the cap when changing configurations.

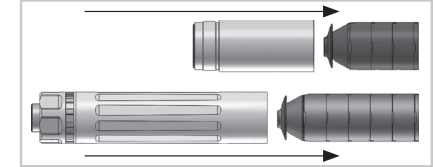
STEP THREE: BAFFLE SEPARATION

Baffles can usually be separated from each other by simply wiggling them as you pull them away from each other. Only a slight amount of separation is required before they completely break loose. If the baffles are tight, then a screw driver can be used to lightly pry them apart. Simply insert the blade of the screw driver into the shallow tool slot on the side of the baffles and twist. The baffle only needs to move a small amount and it can be tilted to allow the inner cone to slide past debris that may be deposited inside.



STEP TWO: PLACE BAFFLES INTO TUBES

Place the assembled baffles for the main body vertically onto a table top and slide the tube over the top. When the tube is over all of the baffles carefully tilt the tube and reach under the last baffle and push it all the way into the tube until it stops. While holding in the baffles flip the assembly over. It is now ready for either the front Cap or the Module to be screwed in.



Repeat for the module tube baffles.

5. REASSEMBLY

NOTE: ENSURE ALL THREADS AND BAFFLE ASSEMBLY CONTACT POINTS ARE CLEAN AND FREE OF DEBRIS. IT IS RECOMMENDED THAT YOU APPLY A LIGHT COAT OF GREASE TO THE THREADS AND BAFFLE CONTACT POINTS.

STEP ONE: ASSEMBLE BAFFLES

Align the steel baffles such that all of the ports are oriented the same direction. Ensure each baffle is fully inserted into the previous with the tabs seating into the largest slots. Repeat for the aluminum baffles. **Ensure each set of baffles has the shortest baffle as the final baffle.**



Note: if the alignment tabs engage the tool slots instead of the large slots then the baffle will not be fully seated. A visual indicator is that the front cap will not tighten down as far as it is supposed to, or the module tube will not tighten down all the way.



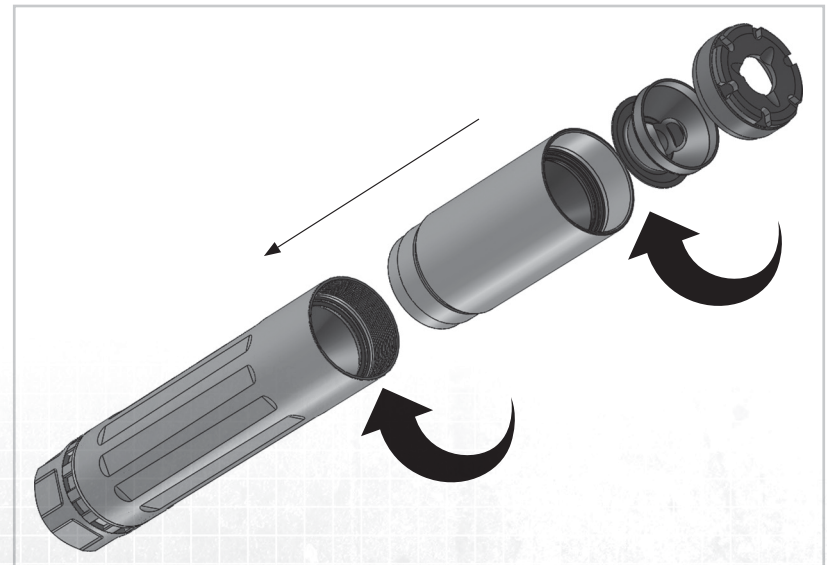
Note: While the Ghost M Suppressor excels at imparting very little point of impact shift on the bullet, some firearm and ammunition combinations may be very sensitive to the flow currents inside the suppressor. In order to minimize this effect, rotate baffles 4-6 in the main tube by 180°. The same can be done in the module with the baffles 3-4 if needed. Sound suppression is optimal with all baffles aligned.

STEP THREE: SCREW IN FRONT CAP OR MODULE

FULL CONFIGURATION:

Drop the Cap Baffle onto the end of the aluminum baffle stack found in the Module and then tighten the front Cap into place with the provided tool. The Module is then screwed into the main body.

Note: your Ghost M comes standard with the wipe cap. The short cap may be purchased separately in 9mm and .45 caliber sizes.



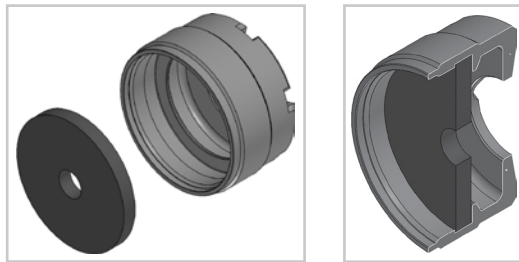
SHORT CONFIGURATION:

If running the Short configuration, drop the Cap Baffle onto the end of the baffle stack and tighten the Cap into the main tube with the provided tool.

WIPES:

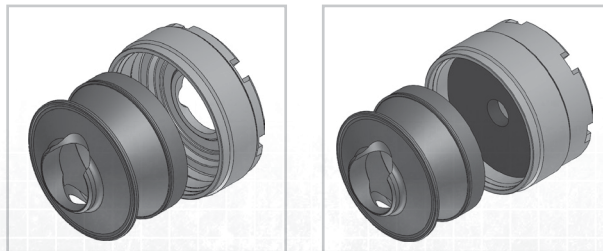
Insert the Wipe into the Wipe Front Cap by pushing the rubber wipe straight into the back of the Cap so that it seats on the shoulder just inside. If the wipe has a tapered edge from cutting, then push the tapered edge in first. This will provide a greater surface area for the Cap Baffle to clamp down onto. If the wipe is pushed through to sit on the inside face of the Cap, then you pushed it passed where it was meant to be placed. The Cap will be damaged when a bullet passes through it.

NOTE: Always use the provided tool to tighten the Wipe Cap. This ensures the wipe is fully captured in the suppressor and it will keep it from coming loose and causing possible damage to the suppressor.



DO NOT USE HOMEMADE WIPES IN THE SUPPRESSOR AS THEY MAY COME LOOSE AND DAMAGE THE SUPPRESSOR.

NEVER USE THE WIPE WITH OUR OPTIONAL "SHORT" CAPS. DOING SO MAY CAUSE DAMAGE TO THE CAP.



WARNING: THE CAP BAFFLE ALWAYS TRAVELS WITH THE FRONT CAP, WHETHER IT'S THE WIPE FRONT CAP OR ONE OF THE OPTIONAL SHORT FRONT CAPS. ASSEMBLING THE SUPPRESSOR WITHOUT IT WILL NOT SECURE THE BAFFLES AND IT WILL CAUSE DAMAGE TO YOUR SUPPRESSOR WHEN YOU SHOOT IT.

STEP FOUR: INSPECTION UPON ASSEMBLY

Note Gap on main tube should be very narrow (less than .040"). If there is larger gap, ensure baffles were properly stacked together and that no alignment tabs are lined up with tool slots. Also check that there is no loose debris keeping baffles from nesting within each other. If the module tube bottoms out on the main tube, check to ensure that all six baffles have been inserted.

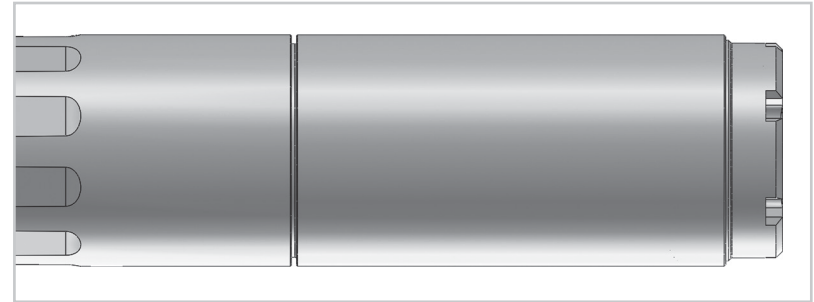


Illustration shown with included Wipe Cap.

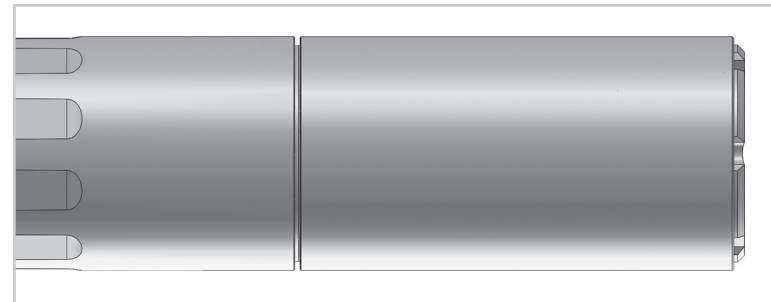


Illustration shown with optional Short Cap.

The front Cap should be thread in far enough that the external chamfer lines up with the edge of the module tube. If it sticks out too far, check alignment tabs of baffles as outlined above. If it goes in far enough the tool can't engage the cap, then check to ensure that all five baffles have been inserted, especially the Cap Baffle.

The Wipe Front Cap is fully inserted when it is snugged down with the provided tool and only a few threads remain visible. The stiffness of the rubber wipe will vary with environmental conditions and can affect how far the Cap will thread into the module.

Any questions concerning the performance or care of your suppressor should be directed to our Customer Service Department 801-857-4232.

6. DISCLAIMER:

The manufacturer is not responsible for damages or injuries due to the misuse or unintended use of its products. This product is potentially dangerous and, as such, adequate safety precautions must be taken in order to avoid damage to your firearm, damage to third parties, bodily injury or death. Please consult our website for further details at:

WWW.DEADAIRSILENCERS.COM OR CALL 801-857-4232

7. WARRANTY:

There is a limited lifetime warranty against all manufacturing defects and damages caused by the normal use of this product. The manufacturer will repair or replace free of charge any suppressor manufactured by or, at the direction of, Sound Moderation Technologies. The product is sold "as is" with no further implied contractual rights or warranties beyond those expressly stated herein.

The warranty does not apply to certain conditions or acts. It is at the sole discretion and determination of Sound Moderation Technologies if a particular defect or condition is covered by this Warranty. Conditions not covered include, but are not limited to: Modifications, Abuse, Neglect, Use of Defective Ammunition, Use of Improperly Sized Ammunition, and Criminal Conduct. Sound Moderation Technologies assumes no liability for damages or bodily injury caused by such acts or omissions as previously described. Abuse and Neglect are defined as usage outside of the reasonable scope for which the product is intended thus contributing to the accelerated and unreasonable premature wear of the suppressor itself.

If a repair is indicated then the owner must contact our Customer Service Department at 801-857-4232. A Dead Air Silencers representative will make arrangements for return of the suppressor at manufacturer's shipping expense. **DO NOT SHIP THE SUPPRESSOR FOR REPAIR WITHOUT FIRST CONTACTING CUSTOMER SERVICE AND DO NOT SHIP IN ANY EVENT WITHOUT A COPY OF THE APPROVED BATF FORM.** When you ship the suppressor back to the manufacturer, please include a detailed statement concerning the type of defect or malfunction encountered and describe the ammunition used and type of host weapon the product was used on or attached.

If for any reason that your suppressor is not eligible for repair or replacement, you may purchase a replacement suppressor for 50% off the MSRP for a same or similar suppressor.

8. LAWFUL USE AND POSSESSION:

Your new suppressor is an NFA weapon and is not legal to own or possess in certain jurisdictions. Sound Moderation Technologies does not offer any express or implied promises or affirmations concerning the use, possession, or ownership of your suppressor. If you have any questions concerning the ownership, possession, or use of your suppressor contact the chief local law enforcement officer in the jurisdiction in which you reside or your local BATF office for further information concerning the ownership, use, and possession of NFA controlled weapons.

HELPFUL OWNERSHIP INFORMATION

ALWAYS MAINTAIN A COPY OF THE APPLICABLE BATF DOCUMENTS TO YOUR SUPPRESSOR WITH THE SUPPRESSOR ITSELF WHENEVER TRANSPORTING OR USING YOUR SUPPRESSOR. FAILURE TO DO SO COULD RESULT IN CONFUSION, PROSECUTION, OR CONFISCATION OF YOUR NFA CONTROLLED WEAPONS. BETTER SAFE THAN SORRY.

9. CONTACT INFORMATION:

You can contact us directly by telephone at 801-857-4232 or visit our website at www.deadairsilencers.com.

Thank you once again for supporting our products and feel free to contact us with any inquiries or concerns that you might have.





deadairsilencers.com



⚠ Warning: This product can expose you to chemicals including lead, which is known to the State of California to cause cancer and birth defects or other reproductive harm. For other information go to www.P65Warnings.ca.gov