

HEAVY EQUIPMENT

TACTICAL TECHNOLOGY
ODESSA-9
OPERATIONAL

001-354

UNCLASSIFIED

CENTRAL INTELLIGENCE AGENCY
WASHINGTON 25, D. C.



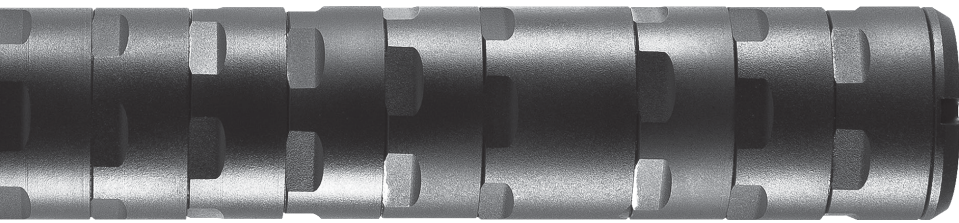
DEAD AIR

silencers

OWNER'S MANUAL

Model: Vite
SILENT SERVICE
Owner: Special Only

2. For convenience of
code word IRONBARK has been
CSIS reports containing do
IRONBARK is classified CON
never be authorized to read



WELL PROTECTED ODESSA-9 OPERATOR'S MANUAL

WELCOME TO DEAD AIR SILENCERS

Thank you for purchasing our products and supporting the Second Amendment.

Dead Air Silencers was co-founded by one of the industry's true icons, Mike Pappas, and is supported through distribution and manufacturing by our industry partners. The goal of our company is simply to make the best firearm sound suppressors on the market. Every suppressor is manufactured in the U.S.A. by American craftsmen utilizing the finest materials. As Mike says, "We wouldn't have it any other way. We want the best products, made by Americans for Americans." That said, it's our customers that make our products possible and we appreciate each and every one of you that have supported us.

We place an absolute premium on customer service. We demand that our customers receive prompt and rewarding care and support. Feel free to contact us at 801-857-4232 or info@DeadAirSilencers.com with any questions or concerns you may have. Once again, thank you for your support.



TABLE OF CONTENTS

PRODUCT OVERVIEW	4
GET TO KNOW YOUR ODESSA-9	5
ASSEMBLY BEFORE USE	6
INSTALLATION	8
DISASSEMBLY & CLEANING	10
DISCLAIMER	12
WARRANTY	12
LAWFUL USE AND POSSESSION	13



FIREARMS ARE DANGEROUS! REVIEW THIS OPERATOR'S MANUAL IN FULL BEFORE USING YOUR SUPPRESSOR. FAILURE TO FOLLOW THE INSTRUCTIONS LISTED BELOW COULD RESULT IN DAMAGE TO YOUR FIREARM AND/OR SERIOUS PERSONAL INJURY OR DEATH. DO NOT ATTEMPT TO USE YOUR FIREARM AND/OR SUPPRESSOR UNTIL YOU HAVE THE PROPER TRAINING TO DO SO.

1. PRODUCT OVERVIEW:

The Odessa-9 is the most modular and adaptable pistol suppressor ever manufactured. Built for accuracy and ultimate versatility, its super low profile allows the shooter to see more of the target without obscuring the sight picture, and fit any role from ultra-compact to ultra-suppression.

Every detail of the traditional handgun suppressor was scrutinized. From unneeded volume and excess material, to components that loosen when they shouldn't. The Odessa-9 has been optimized to provide incredible performance in a tiny, adaptable, and robust package. Every machined component of the suppressor is made from 17-4 PH stainless steel to bring ultimate strength and performance to the product.

Pistol	Suppressed HUSH 165 Gr.	Suppressed REM UMC 147 Gr.	Unsuppressed	Reduction
Full (10 Baffles)	121.9	126.8	161.1	-39.2 TO -34.3
Mid (7 Baffles)	128.5	133.7		-32.6 TO -27.4
Short (4 Baffles)	139.1	143.4		-22.0 TO -17.7

Test Equipment

G.R.A.S ¼" Pressure microphone Type 40BD // G.R.A.S 1/4" CCP Preamplifier Type 26CB // National Instruments NI USB-4432 - DAQ 102.4 kS/s, 24 Bits, ±40 V, IEPE // National Instruments - LabVIEW software

KEY FEATURES	BENEFITS
Variable length baffle system	➔ Adaptable performance as use requires
Super small diameter	➔ Improved accuracy from suppressor lining up flush or even under factory piston sights.
17-4 ph stainless steel construction	➔ Allows for optimized geometry and strength
Tapered lock-up connections	➔ Prevents parts from loosening during use
QPQ Black Nitride+ surface treatment	➔ Ultimate durability of components during use and cleaning
Double O-ring booster seal	➔ Improved O-ring life and seal on moving parts
Common piston size	➔ Allows for legacy pistons from other manufacturers



CHECK YOUR WEAPON'S CHAMBER AND MAKE CERTAIN THAT THE WEAPON IS UNLOADED AND THE MAGAZINE REMOVED BEFORE PROCEEDING ANY FURTHER. IF THERE IS ANY QUESTION OR DOUBT, CONSULT THE OPERATOR'S MANUAL APPLICABLE TO YOUR FIREARM AS TO THE PROPER PROCEDURE FOR CLEARING AND/OR UNLOADING YOUR WEAPON. DO NOT INSTALL YOUR NEW SUPPRESSOR ON A FIREARM WITH A CLOSED ACTION!

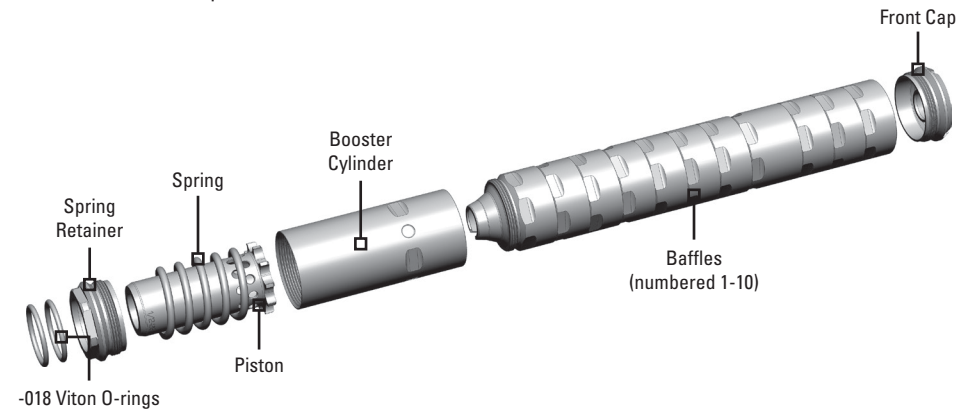
GENERAL CONSIDERATIONS:

Ammunition: Ammunition will have a huge influence on how your new suppressor functions. Use good quality factory-new ammunition in your firearm.

Concentricity: In order to reduce the risk of a baffle strike, it is important to ensure that your barrel threads are aligned concentrically with the bore axis of your host weapon's barrel. If you do not have the means to verify this, it is strongly recommended that you have a competent gunsmith verify if for you.

2. GET TO KNOW YOUR ODESSA-9:

The ODESSA-9 baffle system provides ultimate versatility and performance. It contains a total of 10 baffles with a specific order. Note that each baffle is numbered. The lower the number, the tighter the bore and the closer it is to the rear of the suppressor (firearm muzzle side). This reduces the possibility of bullet strikes on baffles if a bullet does not travel true to the bore path. Always stack the baffles in an ascending order from the Booster Cylinder to the Front Cap.



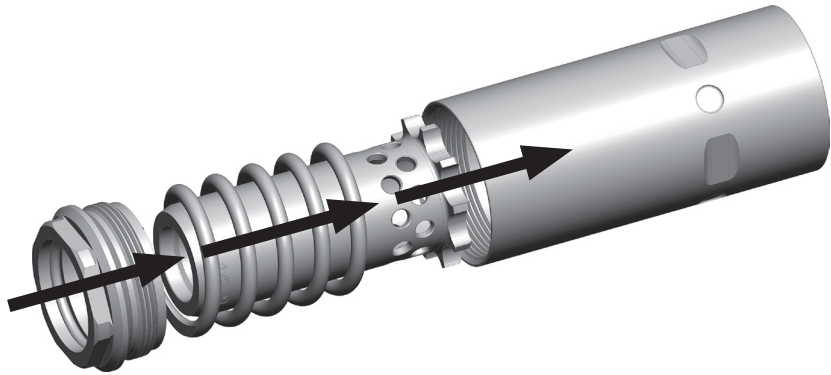
BAFFLE SEQUENCE MUST ALWAYS INCREASE IN NUMBER AS THE BAFFLES GET FURTHER AWAY FROM THE BARREL. PLACING A LOWER NUMBER BAFFLE AFTER A HIGHER NUMBER WILL INCREASE THE LIKELIHOOD OF A BAFFLE STRIKE.



THIS PRODUCT ALLOWS FOR THE USE OF A VARIABLE QUANTITY OF BAFFLES, WHICH CAN DRASTICALLY AFFECT ITS ABILITY TO REDUCE THE REPORT OF THE FIREARM. IT IS POSSIBLE TO HAVE SO FEW BAFFLES THAT HEARING PROTECTION IS NEEDED. THIS DEPENDS GREATLY ON THE HOST WEAPON AND CALIBER OF AMMUNITION. IT IS THE END USER'S RESPONSIBILITY TO WEAR PROPER PROTECTIVE GEAR FOR BOTH HEARING AND EYE PROTECTION.

3. ASSEMBLY BEFORE USE:

When discussing directionality during assembly, “back” will always be toward the host weapon, “front” will always be away. For example, the Piston that connects to the barrel goes in the back of the suppressor, and the Front Cap threads on the front.



Note: Place a light amount of high quality grease or lube on the inside surface of the Booster Cylinder, O-rings, threaded surfaces, and tapers behind the threads in preparation for assembly.

STEP ONE

Insert the Piston that fits your host pistol’s barrel into the back of the Booster Cylinder. This will be a tight fit. The piston will bind on the bore of the cylinder if it is tilted. Ensure it is sitting flat against the internal face of the Booster Cylinder and that the Piston teeth are fitting between the two pins located inside the Booster Cylinder.

Note: Pistons from some manufacturers should fit this booster. Perfect fitment cannot always be guaranteed due to manufacturing variation, so caution in checking bore alignment should be taken when first using a Piston sourced from another manufacturer. Compatible pistons are made by Rugged Suppressors and SilencerCo. Note that SilencerCo pistons have slots machined into them that allow gas to escape the back of the suppressor and additional “blow-back” of powder or gas may be experienced. These will also drastically reduce O-ring life. Due to slight nominal dimensional variations, pistons from Griffin Armament are not recommended for use in your Odessa-9.

STEP TWO

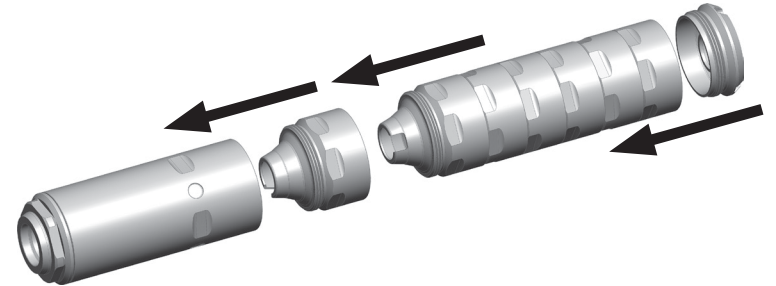
Place the spring over the piston and drop it down inside the Booster Cylinder.

STEP THREE

Ensure the O-rings inside the Spring Retainer are in good working order and well lubed. Slip over the Piston and push until it seats against the Booster Cylinder. Turn until threads engage and then finger tighten.

STEP FOUR

Thread Baffle number 1 into the front of the Booster Cylinder and finger tighten. Continue this process with Baffles 2, 3, etc. until the desired quantity is reached, ensuring that they are in sequence, and finger tightened. And, yes, you really do need to put some high quality lube on all threads and tapered lock-up surfaces. We’re serious.



STEP FIVE

Thread the front cap onto the final baffle of the series.

STEP SIX

Fully tighten the Spring Retainer and then Baffle #1 into the Booster Cylinder with the provided wrenches. Only tighten immediately adjacent parts one to another, starting from the back and work to the front, ending with the Front Cap. Move both wrenches together as you go, keeping the wrenches on the two adjacent parts to be tightened, with one of them being the part that was just previously snugged down.

NOTE: It only requires a light amount of torque to sufficiently tighten these components due to the taper features. There is a 1/4” square drive hole in the provided wrenches for use with an in-lbs torque wrench.

STEP SEVEN

Tighten to the following specifications:

BAFFLE TORQUE		SPRING RETAINER TORQUE		FRONT CAP TORQUE
	Torque		Torque	
Min	20 in-lbs	Min	40 in-lbs	Hand tightening with Front Cap Tool is sufficient
Max	60 in-lbs	Max	80 in-lbs	



STEP EIGHT: INSPECTION UPON ASSEMBLY

All components should be snug with no gaps or rattling. If any component is not fully tightened, then check threads for any damage or debris. Clean both mating parts as necessary and repeat the tightening step.

4. INSTALLATION

STEP ONE: PREPARATION

Your suppressor is intended to be attached to the muzzle end of your firearm. It will thread directly onto your existing barrel, which will vary based on host weapon. Because this is a booster-based system (or a Nielson inertia decoupler), a threaded piston is used to connect the suppressor to the barrel. The following Dead Air accessories are made to fit the vast majority of 9mm and sub-caliber barrels on the market and to aid you in proper assembly and function.

We recommend checking tightness often. All direct thread suppressors will loosen with use and are very dependent on the quality of the barrel thread. A loose suppressor mount will shift the point of impact due to misalignment of the suppressor and may cause the bullet to strike the baffles or front cap, causing damage to the suppressor. Do not over-tighten the suppressor with any assorted tools or wrenches as such actions may result in damage to your firearm, the suppressor, or both. Hand tightening the suppressor onto the barrel is preferred. Before installation, ensure the threads of the host firearm's barrel are clean and lubed before carefully threading the suppressor onto the muzzle end of your firearm. Take care not to cross thread or force the suppressor to thread onto the firearm. In the event that the suppressor does not smoothly thread onto your firearm, stop the installation process and immediately contact our Customer Service Department for further instruction. Ensure suppressor is tightened all the way against the shoulder of the barrel. Longer threads will require the suppressor to seat on the muzzle face and the back of the piston may not contact the shoulder. DO NOT thread onto barrels that don't have a proper shoulder or muzzle face that is aligned and square with the bore.



IF THE SUPPRESSOR DOES NOT SMOOTHLY THREAD ONTO YOUR FIREARM STOP THE INSTALLATION PROCESS AND CONTACT OUR CUSTOMER SERVICE DEPARTMENT. FAILURE TO PROPERLY INSTALL YOUR SUPPRESSOR COULD RESULT IN SERIOUS INJURY, DAMAGE TO THE SUPPRESSOR, THE HOST WEAPON, THE USER, AND/OR A THIRD PARTY.



OUR PRODUCTS ARE CALIBER SPECIFIC. UNLESS STATED OTHERWISE ON THE SUPPRESSOR ITSELF OR ON THE PACKAGING, THE ODESSA-9 SUPPRESSOR WILL NOT FUNCTION SAFELY WITH ANY CARTRIDGE WITH PRESSURES HIGHER THAN 9MM. SUB-CALIBERS LIKE .380 ACP ARE ACCEPTABLE. USE OF YOUR SUPPRESSOR OUTSIDE OF ITS INTENDED SCOPE COULD RESULT IN DAMAGE TO YOUR FIREARM, DAMAGE TO PROPERTY, BODILY INJURY, OR DEATH. DO NOT FIRE HIGH PRESSURE RIFLE CARTRIDGES THROUGH YOUR ODESSA-9 SUPPRESSOR.

STEP TWO: MOUNTING THE SUPPRESSOR TO BARREL

The suppressor can only go on one way and come off one way. Before use, make sure that the suppressor is firmly and rigidly mounted to the firearm. Failure to do so could result in damages to your firearm and damage to the suppressor. Visually inspect the suppressor after it is mounted in order to confirm that it is mounted straight to the centerline of the bore and is otherwise not canted. If the suppressor is not in line with the bore immediately stop the installation process and contact our Customer Service Department. Use of the suppressor while improperly mounted could cause irreparable harm to your suppressor and will cause poor performance and reduced accuracy.

If using a left-handed piston, thread the suppressor on in a counter-clockwise direction.

If the suppressor loosens during firing, one of the Odessa wrenches may be used to snug it onto the barrel. Torque should not exceed 70 in-lbs.

STEP THREE: REMOVING THE SUPPRESSOR

To remove the suppressor, simply rotate the body of the suppressor counterclockwise until it begins to unthread from the muzzle of the host weapon. If a left hand metric piston/mount is used, then unscrew by rotating clockwise.

If baffles begin to loosen before the piston does from the barrel, then grip by Booster Cylinder or use an Odessa wrench to remove. If it takes more leverage than the small Odessa wrench can provide, try using an in-lbs torque wrench for extra leverage. If it requires greater than 120 in-lbs (10 ft-lbs), then contact our Customer Service Department. Note that the wrench flats are made for a narrow wrench, and excessive torque and/or an improper tool may damage the exterior surface of the suppressor.



WHEN REMOVING THE SUPPRESSOR FROM YOUR FIREARM BE EXTREMELY CAUTIOUS AS THE TEMPERATURE OF THE SUPPRESSOR COULD CAUSE BURNS AND OR PERSONAL INJURY TO THE USER. MAKE SURE TO EITHER USE PROTECTIVE GLOVES OR WAIT UNTIL THE SUPPRESSOR COOLS BEFORE ATTEMPTING REMOVAL.

5. DISASSEMBLY AND CLEANING

STEP ONE:

Disassembly is done in reverse order of assembly (page 6).

STEP TWO: CLEANING

Typically there is very little maintenance needed with respect to your suppressor other than to keep the threads clean and to wipe down the threaded interfaces with a good quality lube. The suppressor is made of high strength 17-4PH stainless steel with a QPQ Black Nitride+ surface finish. The finish is extremely durable but some care should be taken concerning exposure to various solvents or sharp edges that may scratch the finish. If an ultrasonic cleaner is used in the cleaning process, it's recommended to clean for as short of duration as possible and to use light detergents. Avoid or minimize metal-on-metal contact during the ultrasonic cleaning process.

Always test a small area before applying any solvent to the suppressor as a whole. Because the suppressor is comprised of components that thread together, you'll need to pay special attention to cleaning these surfaces. Avoid harsh solvents such as brake cleaner, surface treatment stripping solutions, and aggressive copper fouling stripping agents.

Due to the highly optimized design of the Odessa, it is recommended to clean all threads and taper fitups after each range session.

PISTON AND BOOSTER CYLINDER: The Booster mechanism with the spring and piston should be cleaned and lubed with grease every shooting session and the O-Rings inspected. Replacement O-Rings are size -018 and are available from Dead Air Armament.

Shooting the suppressor "wet" will soften carbon buildup considerably inside the piston depending on the amount of buildup. To shoot the suppressor wet, pour a water bottle capful (or 3 CCs of water) down the piston and into the booster mechanism, mount to pistol, and shoot a magazine or two of ammo through it. Much of the carbon can then be wiped out of the booster housing after the spring and piston are removed. This is most effective before heavy buildup has occurred. The Booster Cylinder, Piston, Spring, and Spring Retainer can also be removed and submerged into carbon scrubbing chemicals to facilitate cleaning.

BAFFLES AND FRONT CAP: It is recommended to clean the baffle and Front Cap threads after each range session. This will allow them to easily disassemble and reassemble as needed.

Key areas to clean include:

- Threads. Apply a light coating of lube or grease when cleaned.
- Tapered surfaces ahead of, or behind threads. Apply a light coating of lube or grease before reassembly.

STEP THREE: INSPECTION UPON ASSEMBLY

All components should be snug with no gaps or rattling. If any component is not fully tightened, then check threads for any damage or debris. Clean both mating parts as necessary and repeat the tightening step.

NOTE: DEBRIS ON THE THREADS AND TAPER SURFACES MAY CAUSE MISALIGNMENT OF SUPPRESSOR PARTS AND ALLOW FOR BULLET STRIKES ON BAFFLES OR THE FRONT CAP.

Any questions concerning the performance or care of your suppressor should be directed to our Customer Service Department (801) 857-4232.



6. DISCLAIMER:

The manufacturer is not responsible for damages or injuries due to the misuse or unintended use of its products. This product is potentially dangerous and, as such, adequate safety precautions must be taken in order to avoid damage to your firearm, damage to third parties, bodily injury or death. Please consult our website for further details at:

WWW.DEADAIRSILENCERS.COM OR CALL 801-857-4232

7. WARRANTY:

We provide a lifetime warranty against all manufacturing defects and damages caused by the normal use of this product. The manufacturer will repair or replace free of charge any suppressor manufactured by, or at the direction of, Sound Moderation Technologies. The product is sold "as is" with no further implied contractual rights or warranties beyond those expressly stated herein.

The warranty does not apply to certain conditions or acts. It is at the sole discretion and determination of Sound Moderation Technologies if a particular defect or condition is covered by this warranty. Conditions not covered include, but are not limited to: modifications, abuse, neglect, use of defective ammunition, use of improperly sized ammunition, and criminal conduct. Sound Moderation Technologies assumes no liability for damages or bodily injury caused by such acts or omissions as previously described. Abuse and neglect are defined as usage outside of the reasonable scope for which the product is intended, thus contributing to the accelerated and unreasonable premature wear of the suppressor itself.

If a repair is indicated then the owner must contact our Customer Service Department at 801-857-4232. A Dead Air Silencers representative will make arrangements for return of the suppressor at manufacturer's shipping expense. **DO NOT SHIP THE SUPPRESSOR FOR REPAIR WITHOUT FIRST CONTACTING CUSTOMER SERVICE AND DO NOT SHIP IN ANY EVENT WITHOUT A COPY OF THE APPROVED BATF FORM.** When you ship the suppressor back to the manufacturer, please include a detailed statement concerning the type of defect or malfunction encountered and describe the ammunition used and type of host weapon the product was used on or attached.

If for any reason your suppressor is not eligible for repair or replacement, you may purchase a replacement suppressor for 50% off the MSRP for a same or similar suppressor. Please contact our Customer Service Department for further details and requirements.

8. LAWFUL USE AND POSSESSION:

Your new suppressor is an NFA weapon and is not legal to own or possess in certain jurisdictions. Sound Moderation Technologies does not offer any express or implied promises or affirmations concerning the use, possession, or ownership of your suppressor. If you have any questions concerning the ownership, possession, or use of your suppressor contact the chief local law enforcement officer in the jurisdiction in which you reside or your local BATF office for further information concerning the ownership, use, and possession of NFA controlled weapons.

HELPFUL OWNERSHIP INFORMATION

ALWAYS MAINTAIN A COPY OF THE APPLICABLE BATF DOCUMENTS TO YOUR SUPPRESSOR WITH THE SUPPRESSOR ITSELF WHENEVER TRANSPORTING OR USING YOUR SUPPRESSOR. FAILURE TO DO SO COULD RESULT IN CONFUSION, PROSECUTION, OR CONFISCATION OF YOUR NFA CONTROLLED WEAPONS. BETTER SAFE THAN SORRY.

9. CONTACT INFORMATION:

You can contact us directly by telephone at 801-857-4232, or visit our website at www.deadairsilencers.com.

Thank you once again for supporting our products and feel free to contact us with any inquiries or concerns that you might have.



DEAD AIR


silencers





No Quarter



 *Warning: This product can expose you to chemicals including lead, which is known to the State of California to cause cancer and birth defects or other reproductive harm. For other information go to www.P65Warnings.ca.gov*

MRBM FIELD LAUNCH SITE
SAN CRISTOBAL NO 1
Rev121323
14 OCTOBER 1962