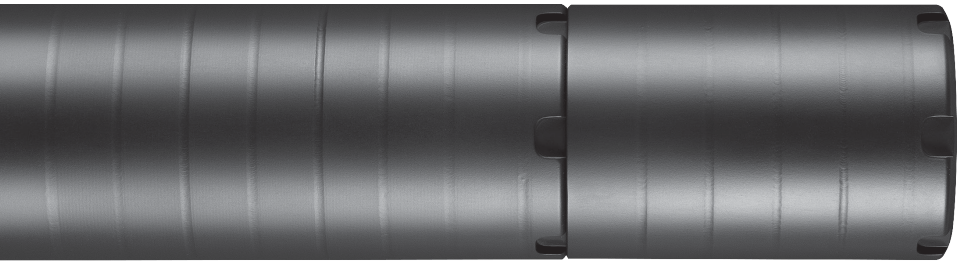


WOLFMAN

OWNERS MANUAL



DEAD AIR
silencers



WELCOME TO DEAD AIR SILENCERS

Thank you for purchasing our products and supporting the Second Amendment.

Dead Air Silencers was co-founded by one of the industry's true icons, Mike Pappas, and is supported through distribution and manufacturing by our industry partners. The goal of our company is simply to make the best firearm sound suppressors on the market. Every suppressor is manufactured in the U.S.A. by American craftsmen utilizing the finest materials. As Mike says, "We wouldn't have it any other way. We want the best products, made by Americans for Americans." That said, it's our customers that make our products possible and we appreciate each and every one of you that have supported us.

We place an absolute premium on customer service. We demand that our customers receive prompt and rewarding care and support. Feel free to contact us at 801-857-4232 or info@DeadAirSilencers.com with any questions or concerns you may have. Once again, thank you for your support.



TABLE OF CONTENTS

PRODUCT OVERVIEW	4
GET TO KNOW YOUR WOLFMAN	5
INSTALLATION	6
BREAK IN	9
DISASSEMBLY & CLEANING	9
REASSEMBLY	11
DISCLAIMER	14
WARRANTY	14
LAWFUL USE AND POSSESSION	15
CONTACT INFORMATION	15



FIREARMS ARE DANGEROUS! REVIEW THIS OPERATOR'S MANUAL IN FULL BEFORE USING YOUR SUPPRESSOR. FAILURE TO FOLLOW THE INSTRUCTIONS LISTED BELOW COULD RESULT IN DAMAGE TO YOUR FIREARM AND/OR SERIOUS PERSONAL INJURY OR DEATH. DO NOT ATTEMPT TO USE YOUR FIREARM AND/OR SUPPRESSOR UNTIL YOU HAVE THE PROPER TRAINING TO DO SO.

1. PRODUCT OVERVIEW:

The Wolfman is the next generation of suppression. Like its predecessor, the Wolf-9SD, it's a modular, multi-caliber suppressor. It specializes in subgun, light duty rifle, and pistol use. It provides ultimate suppression in its full length configuration while still providing exceptional performance when set up in the short configuration with the removal of the front sound module. The Wolfman also has an Ace up its sleeve - The Front Cap can contain a rubber wipe that can drop suppression levels even further.

Construction is fully welded 17-4 PH stainless steel that brings ultimate strength while keeping the suppressor as light as possible. It's the ultimate mix of toughness and lightweight. The suppressor is designed for maximum muzzle suppression while also maximizing at-ear performance for the shooter through the use of a large internal volume and generous blast chamber.

Caliber	Full Length	Short	Short w/Wipe
9mm, MP5, Aguila 147 gr. & Rem UMC 147 gr.	122.1	129.0	125.9
300BLK, AR15, 10.5" bbl, 220 gr.	122.9	134.4	124.2
9x39, AR15, 10.5" bbl, Wolf 278 gr.	125.8	135.2	133.6

Test Equipment

G.R.A.S ¼" Pressure microphone Type 40BD // G.R.A.S 1/4" CCP Preamplifier Type 26CB // National Instruments NI USB-4432 - DAQ 102.4 kS/s, 24 Bits, ±40 V, IEPE // National Instruments - LabVIEW software

A note on our sound testing...

At Dead Air Silencers, we pride ourselves with both the innovative and scientific process we use to design our products. Part of improving a product is measuring, and you can't improve what you can't accurately measure.

While we test across the sound spectrum for frequency and "perceived" sound, we also test for peak sound pressure in decibels (dB) at various locations. We're keenly interested in balancing at-ear and muzzle results for the best possible shooting experience.

Our published sound testing is performed in accordance with MIL-STD-1474D, which doesn't exactly provide the best indicator of how something sounds, but it does provide a very conservative and consistent muzzle sound level that can be reliably compared to previous results or known baselines. Our particular system provides very conservative results that you can rely on as accurate and representative of what can be experienced with our products.

Other manufacturers may move the microphone to other locations to provide more favorable readings, such as back behind the muzzle of the suppressor or only at the ear of the shooter. Some even rely on dealer/media sources to measure using systems that typically provide very favorable results. To keep all of this data in context as an end user, you should know this typically results in a bias of several decibels.

We want you to know that our stated results are from our Engineering group, not our Marketing group.

GENERAL CONSIDERATIONS:

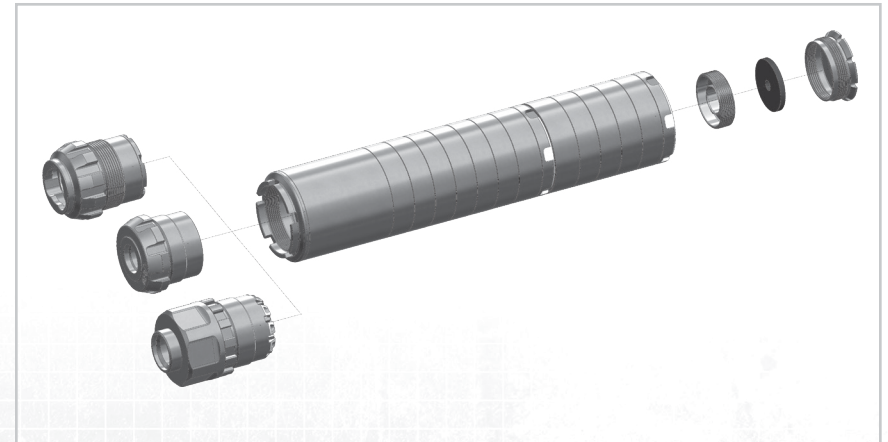
Ammunition: Ammunition will have a huge influence on how your new suppressor functions. Use good quality factory-new ammunition in your firearm.

Concentricity: In order to reduce the risk of a baffle strike, it is important to ensure that your barrel threads are aligned concentrically with the bore axis of your host weapon's barrel. If you do not have the means to verify this, it is strongly recommended that you have a competent gunsmith verify if for you.



CHECK YOUR WEAPON'S CHAMBER AND MAKE CERTAIN THAT THE WEAPON IS UNLOADED AND THE MAGAZINE REMOVED BEFORE PROCEEDING ANY FURTHER. IF THERE IS ANY QUESTION OR DOUBT, CONSULT THE OPERATOR'S MANUAL APPLICABLE TO YOUR FIREARM AS TO THE PROPER PROCEDURE FOR CLEARING AND/OR UNLOADING YOUR WEAPON. DO NOT INSTALL YOUR NEW SUPPRESSOR ON A FIREARM WITH A CLOSED ACTION!

2. GET TO KNOW YOUR WOLFMAN:



3. INSTALLATION

When discussing directionality during assembly, “back” will always be toward the host weapon, “front” will always be away. For example, the Direct Thread Mount that connects to the barrel goes into the back of the suppressor, and the Front Cap threads onto the front.

STEP ONE: PREPARATION

Your suppressor is intended to be attached to the muzzle end of your firearm. It will connect directly to your existing barrel, which will vary based on host weapon, using either a threaded Piston, Fixed Mount, or 3-Lug adapter. We recommend checking tightness periodically. All direct thread suppressors will loosen with use. A loose suppressor mount will shift the point of impact because of the effect on the host weapon’s barrel harmonics and the loss of concentricity. Do not over tighten the suppressor with any assorted tools or wrenches as such actions may result in damage to your firearm, the suppressor, or both. Hand tightening the suppressor onto the barrel is sufficient. Before installation, ensure the threads of the host firearm’s barrel are clean and lubed before carefully threading the suppressor onto the muzzle end of your firearm. Take care not to cross thread or force the suppressor to thread onto the firearm. In the event that the suppressor does not smoothly thread onto your firearm stop the installation process and immediately contact our Customer Service Department for further instruction. Ensure suppressor is tightened all the way against the shoulder of the barrel. Longer threads will require the suppressor to seat on the muzzle and the back of the piston may not contact the shoulder. DO NOT thread onto barrels that don’t have a proper shoulder to seat against, or muzzle face that is not cut square to the bore.



IF THE MOUNT DOES NOT SMOOTHLY THREAD ONTO YOUR FIREARM STOP THE INSTALLATION PROCESS AND CONTACT OUR CUSTOMER SERVICE DEPARTMENT. FAILURE TO PROPERLY INSTALL YOUR SUPPRESSOR COULD RESULT IN SERIOUS INJURY, DAMAGE TO THE SUPPRESSOR, THE HOST WEAPON, THE USER, AND/OR A THIRD PARTY.



OUR PRODUCTS ARE CALIBER SPECIFIC. UNLESS STATED OTHERWISE ON THE SUPPRESSOR ITSELF OR ON THE PACKAGING, THE WOLFMAN SUPPRESSOR WILL NOT FUNCTION SAFELY WITH ANY CARTRIDGE WITH PRESSURES HIGHER THAN 7.62x39 SUPERSONIC. USE OF YOUR SUPPRESSOR OUTSIDE OF ITS INTENDED SCOPE COULD RESULT IN DAMAGE TO YOUR FIREARM, DAMAGE TO PROPERTY, BODILY INJURY, OR DEATH.

INSTALLING WIPE:

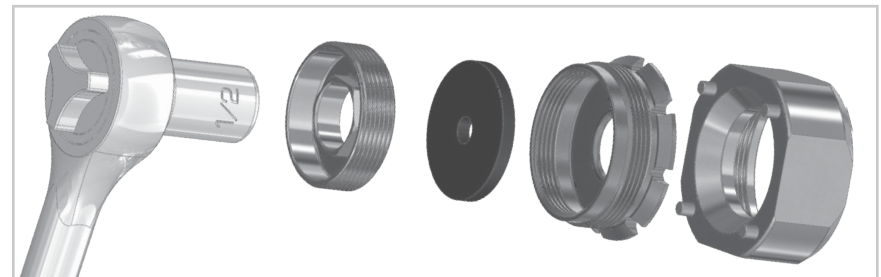
The Front Cap of this product is designed to contain a Rubber Wipe that can help further reduce sound and muzzle flash signature when desired. It’s most effective when the suppressor is in the short configuration with the front module removed. Note that the use of a wipe will affect the following:

- Improved sound and flash reduction
- Increased back-pressure to the action
- Possible point of impact shift

The Wipe Cap Assembly consists of the Wipe Cap and the Wipe Retainer. Possible sources include rubber washers or gaskets from your local hardware store or a sheet of tough rubber approximately 1/8” thick. Neoprene rubber with a durometer of 70A is recommended for its blend of toughness, rigidity, and heat resistance.

The Wipe Retainer is removed from the Wipe Cap by using the Front Cap Tool and a ½” socket driver. A rubber washer up to 1.0” across or diameter will work as a “Wipe” and can be inserted into the Wipe Cap. A 1.0” diameter washer will snap into the groove inside the back of the Wipe Cap, but may require a screw driver to be forced into the groove behind the threads. Wipes as small as 5/8” across can also be used. The retention ridges on the Wipe Retainer will help center wipe if it’s round and will also help hold it in place with just hand tightening with the required tools.

Wipes with a small hole in them will minimize point of impact shift if accurately centered when tightening the Wipe Retainer.



If no wipe is used, then it’s recommended to coat the threads in high quality ant-seize and tighten the Wipe Retainer with a ½” socket into the Front Cap ring. If the Retainer loosens while shooting, damage may occur to the suppressor as well as a possible shift in bullet accuracy that can result in damage to property or persons. The Retainer may also be removed when not in use. It’s still recommended to coat the internal threads of the Wipe Cap with grease to help reduce carbon buildup on the threads. Ensure the threads are cleaned after each range session to ensure the parts can always easily be assembled.



REMOVE THE SUPPRESSOR FROM THE FIREARM BEFORE REMOVING THE FRONT CAP AND REPLACING THE WIPE.

STEP TWO: MOUNTING THE SUPPRESSOR TO BARREL

The suppressor can only go on one way and come off one way. Before use, make sure that the suppressor is firmly and rigidly mounted to the firearm. Failure to do so could result in damages to your firearm and damage to the suppressor. Visually inspect the suppressor after it is mounted in order to confirm that it is mounted straight to the centerline of the bore and is otherwise not canted. If the suppressor is not in line with the bore immediately stop the installation process and contact our Customer Service Department. Use of the suppressor while improperly mounted could cause irreparable harm to your suppressor and will cause poor performance and reduced accuracy.

If using a 3-Lug Mount, slip the suppressor onto the end of the barrel with the lugs aligned with the corresponding openings in the mount. When aligned, compress the suppressor down onto the barrel and lightly turn clockwise.

If using a left-handed adapter or piston, thread the suppressor on in a counter-clockwise direction.

STEP THREE: REMOVING THE SUPPRESSOR

To remove the suppressor simply rotate the body / end cap of the suppressor counterclockwise until it begins to unthread from the muzzle of the host weapon. If a left hand metric piston/mount is used, then unscrew by rotating clockwise.

If using a 3-Lug Mount, compress the suppressor backward onto the barrel and lightly turn it counter-clockwise. Once it clears the lugs on the barrel it can be removed.

Be careful! The suppressor may become extremely hot after use. Never grab a hot suppressor as it can result in burns and injury.



WHEN REMOVING THE SUPPRESSOR FROM YOUR FIREARM BE EXTREMELY CAUTIOUS AS THE TEMPERATURE OF THE SUPPRESSOR COULD CAUSE BURNS AND OR PERSONAL INJURY TO THE USER. MAKE SURE TO EITHER USE PROTECTIVE GLOVES, THE SUPPLIED HEAT RESISTANT NOMEX® SUPPRESSOR SOCK, OR WAIT UNTIL THE SUPPRESSOR COOLS BEFORE ATTEMPTING REMOVAL.



DO NOT OPERATE YOUR SUPPRESSOR UNDER ANY CIRCUMSTANCES IF IT IS NOT PROPERLY MOUNTED ON THE FIREARM! TO DO SO COULD RESULT IN SERIOUS DAMAGE, DEATH AND/OR INJURY TO THE OPERATOR AND THIRD PARTIES. IT WILL RESULT IN DAMAGE TO THE SUPPRESSOR AND WILL GROSSLY AFFECT PERFORMANCE AND/OR ACCURACY AND MAY VOID WARRANTY.

4. BREAK IN:

Once your suppressor is properly mounted it may require some minimal break in. First shot cold performance can be compromised until the suppressor accumulates some unburnt powder and lead. This is normal and generally resolves itself after the first 5-10 shots. Thereafter the suppressor will perform at an optimal level without further break in requirements. The type of ammunition that you use and the atmospheric conditions present when you shoot the weapon can have a huge influence over performance.

4. DISASSEMBLY & CLEANING:

Typically there is very little maintenance needed with respect to your suppressor other than to keep the threads clean and to wipe down the threaded interfaces with a good quality lube. The suppressor is made of high strength 17-4PH stainless steel and has a Cerakote™ exterior finish. The finish is extremely durable but some care should be taken concerning exposure to various solvents or sharp edges that can scratch the coating. Always test a small area before applying any solvent to the suppressor as a whole. Because the suppressor has a welded construction, you'll only need to clean the threaded interfaces on it.

BOOSTER: The Booster mechanism with the spring and piston should be cleaned and lubed with grease every shooting session and the O-Ring inspected. Replacement O-Rings are size -018 and are available from Dead Air Silencers.

Shooting the suppressor "wet" will soften carbon buildup considerably inside the piston depending on the amount of buildup. To shoot the suppressor wet, pour a water bottle capful (or 3-5 CCs of water) down the piston and into the booster mechanism, mount to pistol, and shoot a magazine or two ammo through it. Much of the carbon can then be wiped out of the booster housing after the spring and piston are removed. The Booster Housing, Piston, and Spring can also be removed and submerged into carbon scrubbing chemicals to facilitate cleaning.

FIXED MOUNT: Remove the mount and clean out any excess carbon on the threads and on the outer surface that seats down inside the suppressor.

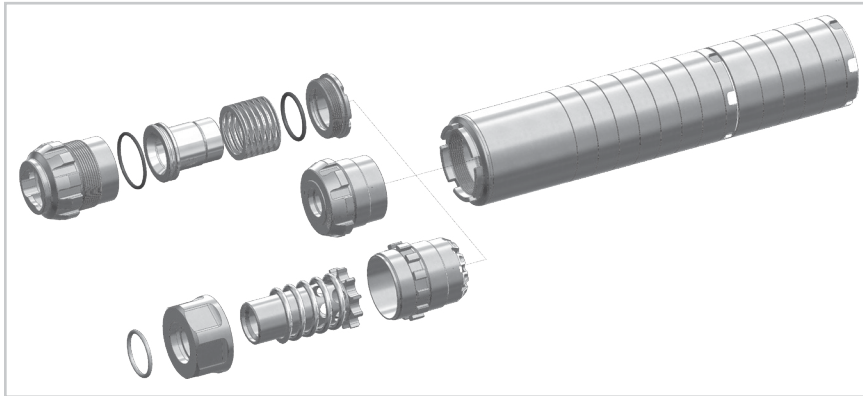
3-LUG MOUNT: Remove the mount and clean out any excess carbon on the threads and on the outer surface that seats down inside the suppressor. If the 3-Lug internal piston does not easily pop back into place after removal from the host weapon, it may need more grease inside the assembly and/or O-rings replaced. Perform this maintenance whenever you shoot the suppressor wet. The Spring Retainer on the end of the assembly can be removed with pin wrench or a Ghost/Mask Front Cap Tool.

SUPPRESSOR: The stainless steel baffles in the suppressor typically don't need to be cleaned. Depending on ammo and shooting schedule, there can be buildup in the blast chamber. Because of the all-stainless construction of this suppressor, it can withstand chemical soaks and bead blasting to clean the blast chamber, if needed.

NOTE: Some chemical cleaners can harm the Cerakote finish.

Key areas to clean include:

- Threads. Apply a light coating of lube or grease when cleaned.
- Tapered surfaces where module and front cap seat. Apply a light coating of lube or grease when cleaned.
- Inner diameter surface that sits 5/8" inside back of suppressor. The Booster, 3-Lug, or Fixed Mount all seat on this surface and it may need to be cleaned for these pieces to thread in all the way and align the suppressor properly with the bore.

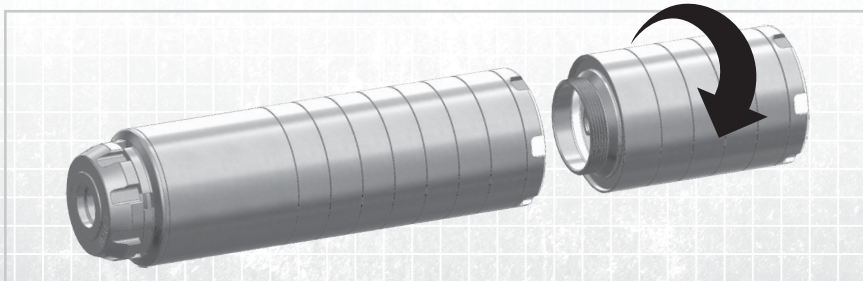


STEP ONE: REMOVE PISTON OR MOUNT

1. Unscrew the piston retainer and remove the Piston and Spring for cleaning.
2. The complete booster mechanism, fixed mount, or 3-Lug assembly may be removed with an AR-15 Castle Nut Wrench and replaced with a fixed mount or 3-Lug mount for use on fixed barrels. Warning: Do not use the Booster Mechanism on fixed barrel firearms as the repeated impact will damage the firearm. Ensure mounts are secured with the castle nut wrench before use.

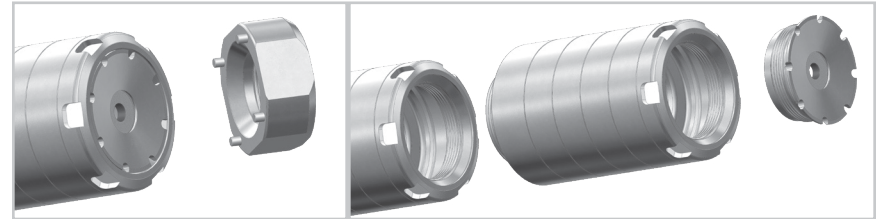
STEP TWO: REMOVE MODULE

1. Unscrew Module from the main body of the suppressor. Ensure threads are clean and lubed. If the mount is too tight to loosen by hand, a strap wrench or a 1.5" spanner wrench can be used on the front of the suppressor to provide additional torque.



STEP THREE: REMOVE FRONT CAP

1. Remove the Front Cap from the Module with the included Front Cap Tool. Ensure threads are clean and lubed.



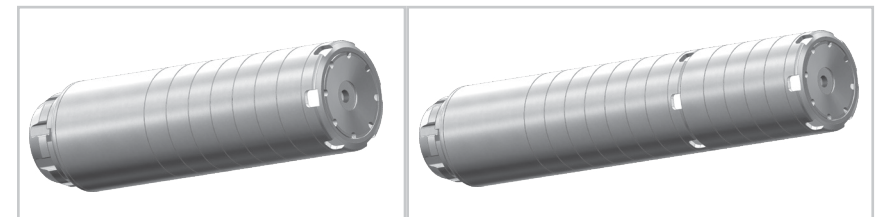
5. REASSEMBLY:

NOTE: ENSURE ALL THREADS AND CONTACT POINTS ARE CLEAN AND FREE OF DEBRIS. IT IS RECOMMENDED THAT YOU APPLY A LIGHT COAT OF LUBE OR GREASE TO THE THREADS.

The highly adaptable design of the Wolfman allows you to configure the suppressor for a myriad of host weapons or roles. Choose between short or long configurations and then adapt the suppressor to fit your host weapon with any of a number of attachment accessories.

STEP ONE: SHORT CONFIGURATION

With the front Module removed, thread the Front Cap into the front of the main body of the suppressor where the Module once was. Use the provided Front Cap Tool to lightly snug the cap into place. Only hand torque is needed because of the tapered surface that it seats on.



STEP TWO: LONG CONFIGURATION

Thread the Front Cap into the Front Module with the Front Cap Tool using a light amount of hand torque. Then thread the Front Module onto the main body of the suppressor. Provide a similar amount of hand torque to it as you would the suppressor itself when threading onto a barrel. The tapered fit on the components will ensure the Module doesn't easily loosen. DO NOT use tools to tighten the module onto the main body.

STEP THREE: INSTALL MOUNT ADAPTERS

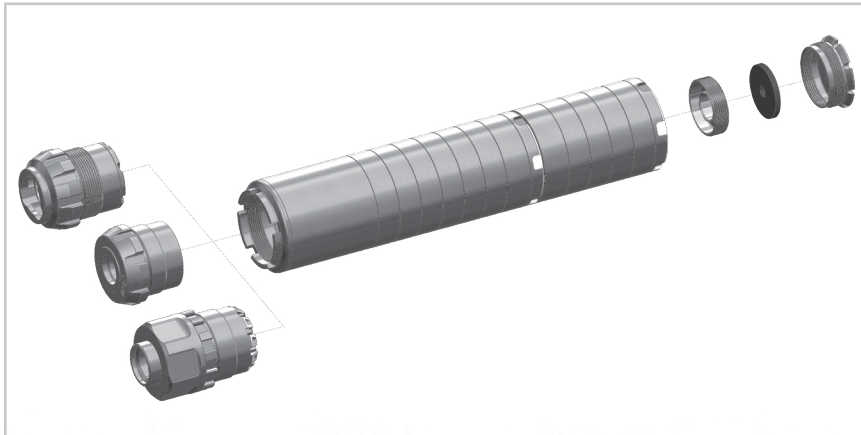
Depending on our host weapon, install needed mount adapter.

Booster and Piston: Used on pistols with “Browning” style actions. Choose the piston that matches the thread of the barrel.

Fixed Thread Mount: Used on pistol caliber carbines subguns and other threaded barrels that don’t tilt or move with the action of the host weapon.

3-Lug Mount: Used on pistol caliber carbines or subguns with 3-Lug mounting features.

Note: Some 3-Lug barrels have a threaded feature with a knurled thread protector on the end of the barrel. It is recommended to use a low-strength Loctite (222 or Purple) to secure the thread protector so that it won’t vibrate loose and work itself into the blast chamber while shooting. Also note that these types of barrels have less alignment bearing surface and will allow the suppressor to “wobble” more on the mount. Dead Air uses a strong spring in their 3-Lug mount to help counteract this effect. Remember that if the suppressor is rested on or against an object while shooting it could still deflect the alignment of the suppressor and bullets could strike on baffles or the front cap.

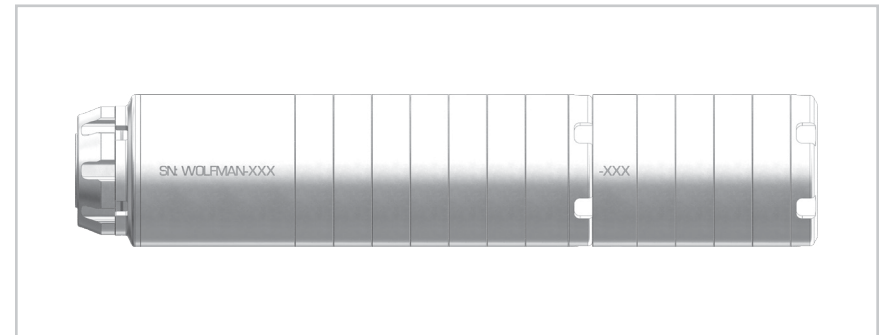


STEP FOUR: INSPECTION UPON ASSEMBLY

Before use, ensure all connections are tight. Threads should be clean and have lube or anti-seize on them. Mounts should be tightened into the back of the suppressor with a castle nut wrench. Counter-torque can be provided by using a 1.5” hinged hook spanner wrench on the front of the suppressor, or a second castlenut wrench with two teeth that will fit the tool features on the back of the suppressor.

The front Module should be hand tightened onto the rear main body. The taper fit will ensure it doesn’t come loose during use if it is hand tightened at most. Tools should not be required. Note that the engraved serial digits on the Module should match and align with the serial number engraving on the main body of the suppressor. If not, clean the threads and tapers and retry. If these are more than 30° off, then the bore may not be perfectly aligned and bullets have a higher likelihood of striking a baffle or the Front Cap.

The Front Cap should sit flush to slightly sub-flush. If it does not thread in all the way, check threads for damage or debris and clean as necessary.



Any questions concerning the performance or care of your suppressor should be directed to our Customer Service Department (801) 857-4232.

5. DISCLAIMER:

The manufacturer is not responsible for damages or injuries due to the misuse or unintended use of its products. This product is potentially dangerous and, as such, adequate safety precautions must be taken in order to avoid damage to your firearm, damage to third parties, bodily injury or death. Please consult our website for further details at:

WWW.DEADAIRSILENCERS.COM OR CALL 801-857-4232

6. WARRANTY:

We provide a lifetime warranty against all manufacturing defects and damages caused by the normal use of this product. The manufacturer will repair or replace free of charge any suppressor manufactured by, or at the direction of, Sound Moderation Technologies. The product is sold "as is" with no further implied contractual rights or warranties beyond those expressly stated herein.

The warranty does not apply to certain conditions or acts. It is at the sole discretion and determination of Sound Moderation Technologies if a particular defect or condition is covered by this warranty. Conditions not covered include, but are not limited to: modifications, abuse, neglect, use of defective ammunition, use of improperly sized ammunition, and criminal conduct. Sound Moderation Technologies assumes no liability for damages or bodily injury caused by such acts or omissions as previously described. Abuse and neglect are defined as usage outside of the reasonable scope for which the product is intended, thus contributing to the accelerated and unreasonable premature wear of the suppressor itself.

If a repair is indicated then the owner must contact our Customer Service Department at 801-857-4232. A Dead Air Silencers representative will make arrangements for return of the suppressor at manufacturer's shipping expense. **DO NOT SHIP THE SUPPRESSOR FOR REPAIR WITHOUT FIRST CONTACTING CUSTOMER SERVICE AND DO NOT SHIP IN ANY EVENT WITHOUT A COPY OF THE APPROVED BATF FORM.** When you ship the suppressor back to the manufacturer, please include a detailed statement concerning the type of defect or malfunction encountered and describe the ammunition used and type of host weapon the product was used on or attached.

If for any reason your suppressor is not eligible for repair or replacement, you may purchase a replacement suppressor for 50% off the MSRP for a same or similar suppressor. Please contact our Customer Service Department for further details and requirements.

7. LAWFUL USE AND POSSESSION:

Your new suppressor is an NFA weapon and is not legal to own or possess in certain jurisdictions. Sound Moderation Technologies does not offer any express or implied promises or affirmations concerning the use, possession, or ownership of your suppressor. If you have any questions concerning the ownership, possession, or use of your suppressor contact the chief local law enforcement officer in the jurisdiction in which you reside or your local BATF office for further information concerning the ownership, use, and possession of NFA controlled weapons.

HELPFUL OWNERSHIP INFORMATION

ALWAYS MAINTAIN A COPY OF THE APPLICABLE BATF DOCUMENTS TO YOUR SUPPRESSOR WITH THE SUPPRESSOR ITSELF WHENEVER TRANSPORTING OR USING YOUR SUPPRESSOR. FAILURE TO DO SO COULD RESULT IN CONFUSION, PROSECUTION, OR CONFISCATION OF YOUR NFA CONTROLLED WEAPONS. BETTER SAFE THAN SORRY.

8. CONTACT INFORMATION:

You can contact us directly by telephone at 801-857-4232, or visit our website at www.deadairsilencers.com.


Thank you once again for supporting our products and feel free to contact us with any inquiries or concerns that you might have.





No Quarter



 Warning: This product can expose you to chemicals including lead, which is known to the State of California to cause cancer and birth defects or other reproductive harm. For other information go to www.P65Warnings.ca.gov