



WOLVERINE P85-1

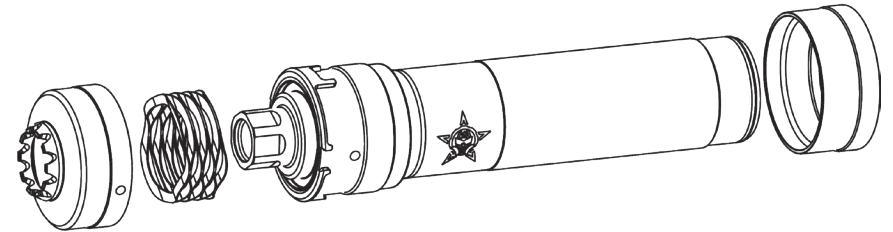
Глушитель **DEAD AIR WOLVERINE P85-1** был специально создан для автоматов Калашников. Этот глушитель отличается классический дизайн, современные материалы и детали и высокая универсальность. **WOLVERINE** приходит на помощь тем владельцам автоматов Калашников, кто желает снизить шумность стрельбы, но не может найти для этого подходящий глушитель.



DEAD AIR
silencers

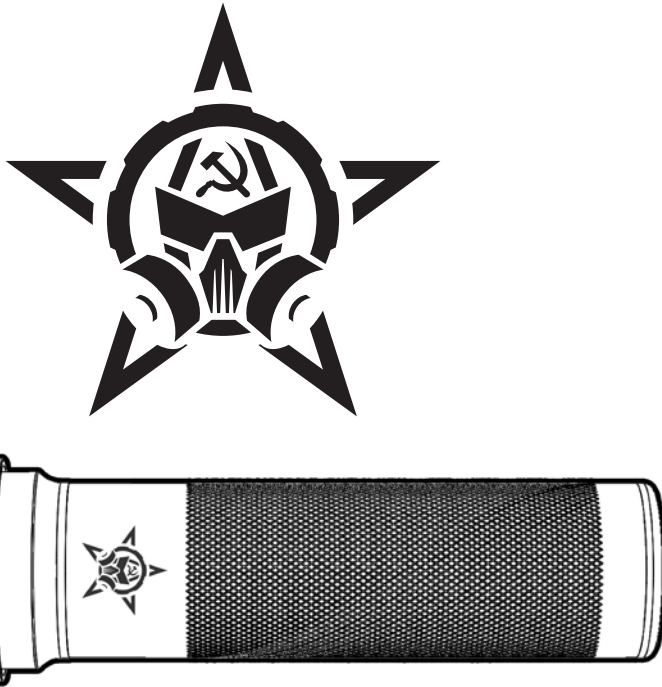
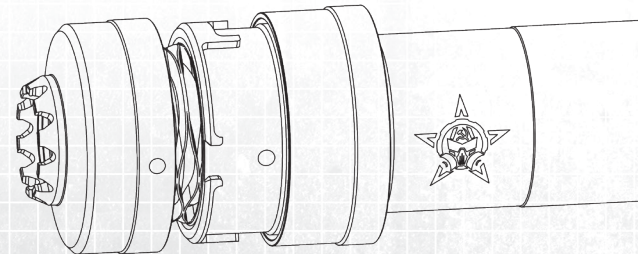
ШАГ 1: ЗНАКОМСТВО С БУДЬ ХОЗЯИНОМ

Известно, что серийные автоматы Калашников трудно совместимы с глушителями. Главная причина этого — значительная несоосность резьбы по отношению к каналу ствола. Из-за того многие производители не предоставляют гарантии на свои глушители в части их совместимости с серийными автоматами Калашников. Другие производители не поставляют крепежные устройства с соответствующей резьбой. Это делается для того, чтобы глушители было невозможно использовать на серийных автоматах во избежание их повреждения, что в свою очередь исключает необходимость в гарантийном обслуживании.



ШАГ 2: ДЛЯ КРЕПЛЕНИЯ УЗЛА ОБЛАДАЮЩИХ ЯДЕРНЫМ ОРУЖИЕМ

Wolverine PBS-1 решает эту проблему. Поскольку данный глушитель специально создавался для серийных автоматов Калашников, для предотвращения разрыва глушителя в его конструкции необходимо было учесть особенности несоосности резьбы. Wolverine решает эту проблему при помощи специально разработанного конического переходника, который позволяет использовать глушитель практически на любом несоосном стволе. Протестировав устройство на огромном количестве моделей иностранного и американского производства, мы, на наш взгляд, нашли оптимальный диаметр канала и конуса для предотвращения разрыва глушителя на подавляющем большинстве автоматов и карабинов, сохранив при этом все шумопоглощающие характеристики. Это означает, что вы можете просто установить глушитель и использовать его, не опасаясь повреждений. Если все же глушитель будет поврежден, вы сможете воспользоваться нашей уникальной для отрасли пожизненной гарантией.



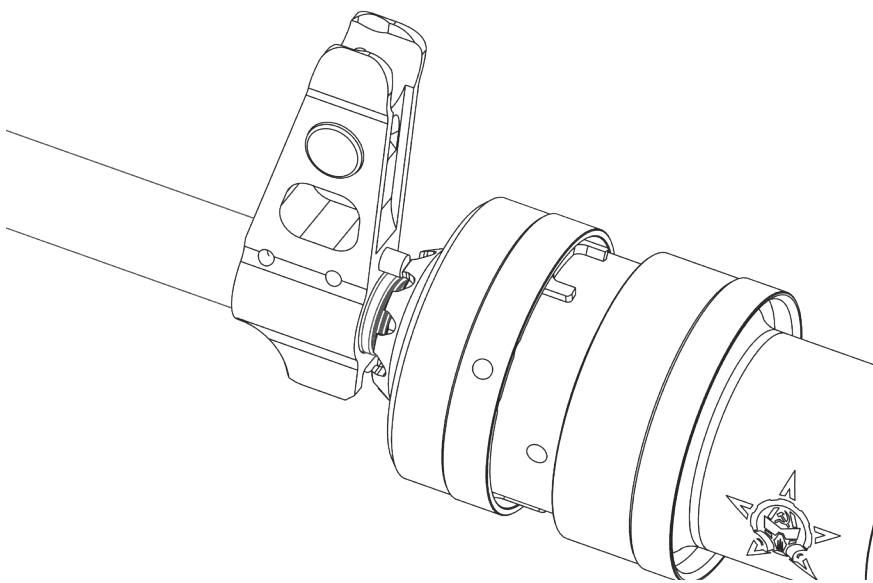
WOLVERINE PBS-1

Глушитель Dead Air Wolverine PBS-1 был специально создан для автоматов Калашников. Этот глушитель отличается классическим дизайном, современными материалами и деталями и высокой универсальностью. Wolverine приходит на помощь тем владельцам автоматов Калашников, кто желает снизить шумность стрельбы, но не может найти для этого подходящий глушитель.



ШАГ 3: СНЯТИЕ С УЗЛА ОБЛАДАЮЩИХ ЯДЕРНЫМ ОРУЖИЕМ

Другая проблема, с которой сталкиваются владельцы Калашникова, — это сильная отдача при стрельбе. Отчасти именно это свойство обеспечивает легендарную надежность АКМ. Использование обычного глушителя, как правило, только усиливает данную проблему, что часто портит впечатления от стрельбы. Именно поэтому многие владельцы Калашникова вовсе отказываются от глушителей. Wolverine устраняет данную проблему за счет использования камер, которые обеспечивают минимальное обратное давление и обеспечивают его равномерное распределение между дульным отверстием и выходным каналом. Таким образом, глушитель оптимизирован так, чтобы сбалансировать давление на входе и выходе, что эффективно снижает шумность стрельбы и отдачу, обеспечивая приятные впечатления от стрельбы.

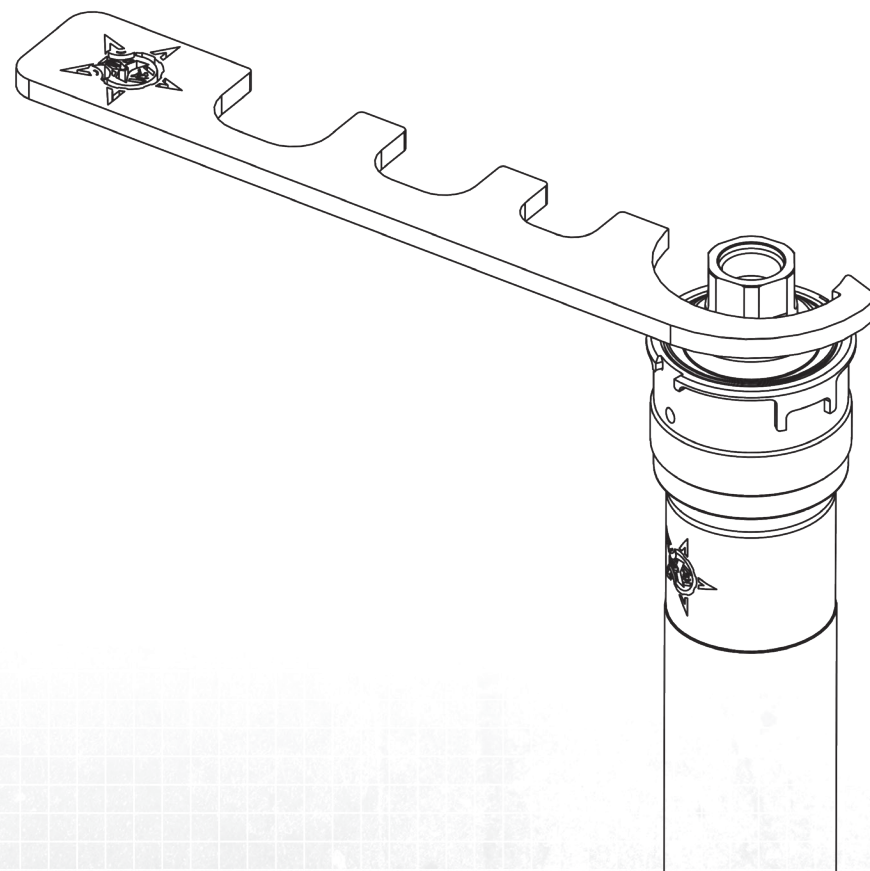


ШАГ 4: ЗАМЕНА РЕЗЬБОВЫХ АДАПТЕРОВ

Глушитель Wolverine столь же вынослив, так и автомат для которого он предназначен. Благодаря особо прочному корпусу из нержавеющей стали и камерам из стеллита глушитель Wolverine PBS-1 является одним из самых надежных и долговечных на рынке. Это означает, что глушитель Wolverine подходит для интенсивной стрельбы из любых моделей, от АКС-74У до РПК. Благодаря поддержке любой скорострельности и отсутствию ограничений на длину ствола глушитель Wolverine — это очевидный выбор для тех, кто ценит мощь и выносливость.

4. РАЗБОРКА И ОЧИСТКА:

В комплект глушителя Wolverine также входит 2 внешних зажимных муфты. Данные муфты призваны обеспечить совместимость с различными диаметрами и шагами резьбы, характерными для автоматов Калашников. Муфты также совместимы со стопорными болтами мушки на существующих моделях для предотвращения ослабления крепления глушителя во время интенсивной стрельбы. В комплект также входит резьбовая вставка с левосторонней резьбой 14x1, обеспечивающая совместимость с моделями АКМ калибра 7,62×39 мм. Дополнительные резьбовые вставки включают вставки с правосторонней резьбой 24 мм для АК-74 и левосторонней резьбой 26 мм для Yugo M92, а также типичные американские вставки (1/2x28 и 5/8x24) можно приобрести по минимальной цене, что делает глушитель Wolverine одним из самых универсальных на рынке.



Сбалансированное шумоподавление, выносливость и универсальность — вот главные преимущества глушителя Wolverine PBS-1. Глушитель, достойный автоматов, для которых он создан.



ENGLISH INSTRUCTIONS

TABLE OF CONTENTS

| | |
|---|-----------|
| PRODUCT OVERVIEW | 8 |
| PREPARATION | 9 |
| GET TO KNOW YOUR WOLVERINE PBS-1 | 10 |
| MOUNTING TO HOST FIREARM | 13 |
| REMOVING FROM HOST FIREARM | 14 |
| REPLACING THREAD ADAPTERS | 15 |
| DISASSEMBLY & CLEANING | 17 |
| DISCLAIMER | 18 |
| WARRANTY | 18 |
| LAWFUL USE AND POSSESSION | 19 |
| CONTACT INFORMATION | 19 |



FIREARMS ARE DANGEROUS! REVIEW THIS OPERATOR'S MANUAL IN FULL BEFORE USING YOUR SUPPRESSOR. FAILURE TO FOLLOW THE INSTRUCTIONS LISTED BELOW COULD RESULT IN DAMAGE TO YOUR FIREARM AND/OR SERIOUS PERSONAL INJURY OR DEATH. DO NOT ATTEMPT TO USE YOUR FIREARM AND/OR SUPPRESSOR UNTIL YOU HAVE THE PROPER TRAINING TO DO SO.

1. PRODUCT OVERVIEW:

The Wolverine PBS-1 is the ultimate in Kalashnikov sound suppression. Designed from the ground up to fit most all Kalashnikovs, the Wolverine is built with the toughest proven materials while providing optimal sound suppression with a balance of muzzle and at-ear sound levels.

Kalashnikov weapons provide a large amount of pressure to the gas piston system which, in turn, provides great reliability. The side effect of this is a large amount of gas that can be forced back to the shooter as the chamber opens before pressure has dropped in the barrel. The Wolverine is specifically designed with low back-pressure in mind to balance the best attainable sound levels for the shooter and at the muzzle without having to permanently modify your weapon.

| Polish AKM 16.25" 7.62x39 | Suppressed | Unsuppressed | Typical Range (Across Varying Hosts) |
|------------------------------|------------|--------------|---|
| Muzzle | 137.9 | 163.5 | 135.1 - 139.7 |

Ammo: Tula 122 gr 7.62X39

Test Equipment

*G.R.A.S 1/4" Pressure microphone Type 40BD // G.R.A.S 1/4" CCP Preamplifier Type 26CB
// National Instruments NI USB-4432 - DAQ 102.4 kS/s, 24 Bits, ±40 V, IEPE // National Instruments - LabVIEW software*

GENERAL CONSIDERATIONS:

Host Weapon: There are a great amount of Kalashnikov variants with varying build quality. It is important to only use your Wolverine on a quality weapon with good threads and muzzle alignment. While the suppressor is designed with a very liberal bore, it is important to check bore alignment with the suppressor prior to shooting. Sound results will also vary greatly based on barrel length, springs, chamber dimensions, and gas systems.

Ammunition: Ammunition will have a huge influence on how your new suppressor functions. Use good quality, factory new ammunition in your firearm.

2. PREPARATION:



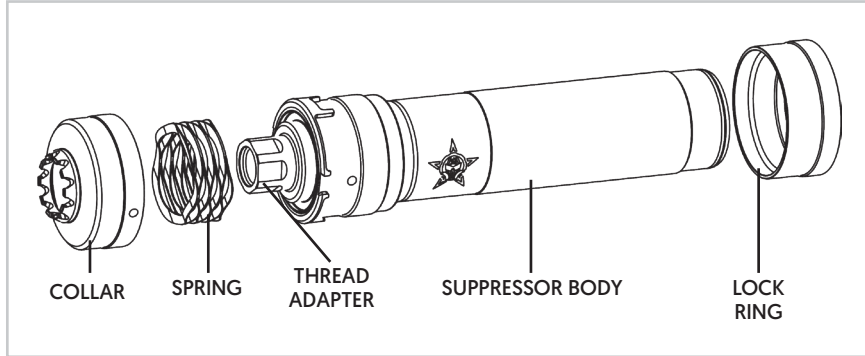
CHECK YOUR WEAPON'S CHAMBER AND MAKE CERTAIN THAT THE WEAPON IS UNLOADED AND THE MAGAZINE REMOVED BEFORE PROCEEDING ANY FURTHER. IF THERE IS ANY QUESTION OR DOUBT, CONSULT THE OPERATOR'S MANUAL APPLICABLE TO YOUR FIREARM AS TO THE PROPER PROCEDURE FOR CLEARING AND/OR UNLOADING YOUR WEAPON. DO NOT INSTALL YOUR NEW SUPPRESSOR ON A FIREARM WITH A CLOSED ACTION!

Your suppressor is intended to be attached to the muzzle end of your firearm. It will thread directly onto your existing barrel, which will vary based on caliber using a threaded adapter mount. A Collar and Lock Ring can be used to lock the suppressor onto barrels with a spring loaded pin built into the front sight post. We recommend checking tightness and engagement periodically, as all direct thread suppressors may loosen with use.

Before installation, ensure the threads of the host firearm's barrel are clean and lubed before carefully threading the suppressor onto the muzzle end of your firearm. Take care not to cross thread or force the suppressor to thread onto the firearm. In the event that the suppressor does not smoothly thread onto your firearm stop the installation process and immediately contact our Customer Service Department for further instruction. Ensure the suppressor is tightened all the way against the barrel. The metric adapters for the Wolverine are designed to seat on the muzzle face of the barrel and not on a shoulder on the outside of the barrel

A loose suppressor mount will shift the point of impact because of the effect on the host weapon's barrel harmonics and the loss of concentricity. A light torqueing of the suppressor onto your barrel with a wrench is sufficient. Do not over tighten the suppressor as such actions may result in damage to your firearm, the suppressor, or both. DO NOT thread onto barrels that don't have a muzzle face that is cut square to the bore.

3: GET TO KNOW YOUR WOLVERINE PBS-1



COLLAR: The Collar extends to engage the locking pins often found in the front sight posts of Kalashnikov weapons. It can be moved to one of three positions as its internal lugs travel over a cam surface machined into the exterior of the suppressor body. Dimples are machined into the outer diameter of the Collar to help you know where the lugs are.

SPRING: Provides force to keep the Collar in place on the suppressor.

THREAD ADAPTER: Removable adapter for flexibility of fitment to most all host weapons. Your Wolverine ships with a metric 14mm left hand adapter that has been pre-torqued into the suppressor body.

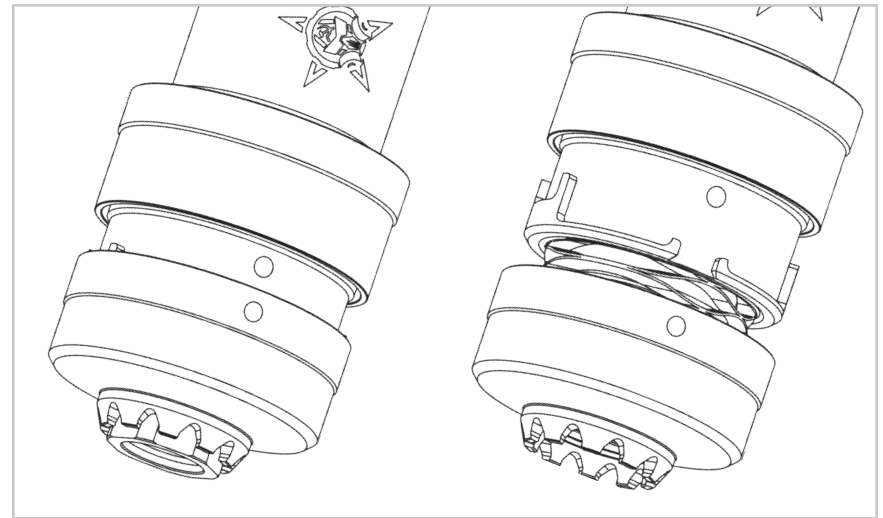
SUPPRESSOR BODY: Made of high strength/high durability Cobalt 6 and stainless steels, the suppressor body is a complete welded structure with a removable front cap.

LOCK RING: Locks down on the Collar to keep it in place as it engages the front sight post pin.

COLLAR REMOVAL

Internal lugs of the Collar must align with the gaps machined into the suppressor body.

1. Spin the Lock Ring forward until threads on the suppressor body are visible behind it.
2. Push the Collar forward to compress the Spring and twist until the machined dimple lines up with the matching dimple on the suppressor body near the threads. You may feel the lugs travel against the cam profile on the suppressor body. If you are not able to turn it, increase pressure on the spring.



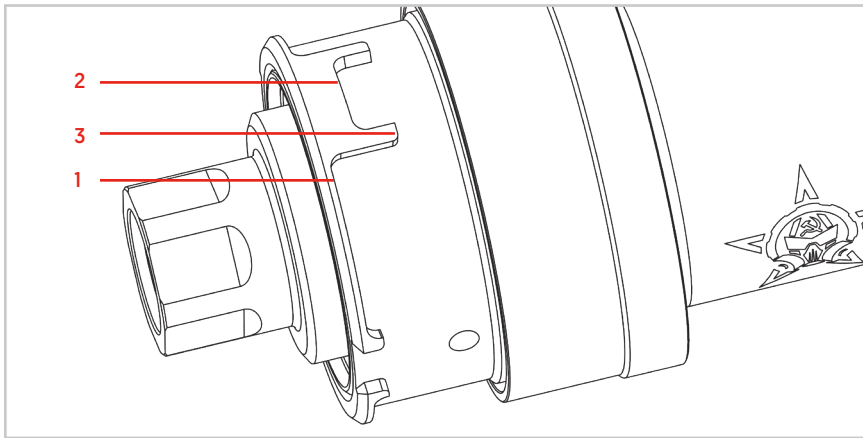
3. Reverse the process to place the Collar back on the suppressor. Ensure the Spring is fully inserted into the groove on the Thread Adapter. A slight twist may be needed to get it to click into its groove. A light amount of lube is helpful on the cam surface, threads, and lugs to keep the parts moving smoothly once assembled.

COLLAR POSITIONS

There are three positions where the Collar can rest. The positions are reached by aligning the internal lugs inside the Collar to sit on specific cam surfaces on the suppressor body. The Collar will need to be compressed and then rotated into position as outlined below:

Note: A dimple is machined into the knurled surface of the Collar to help you know where the lugs are underneath. A dimple is also machined into the suppressor body just in front of the removal gap in the cam profile.

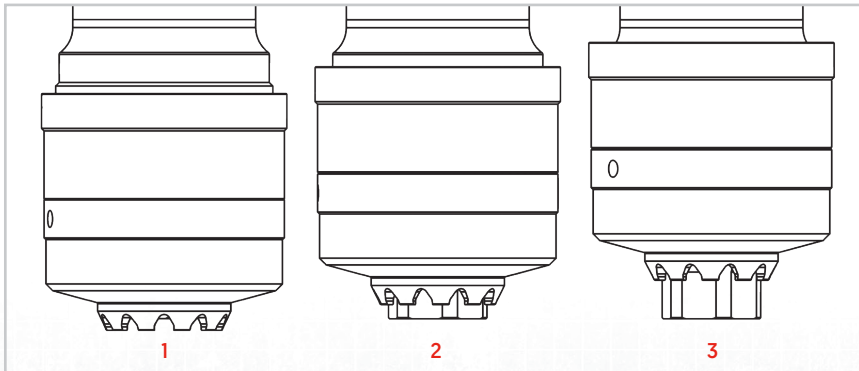
COLLAR POSITIONS (CONTINUED)



POSITION 1: Collar is extended for locking onto front sight post pin to keep the suppressor from vibrating loose while firing.

POSITION 2: Collar is in a neutral position for threading onto or off of the weapon.

POSITION 3: Collar is retracted all the way forward so that a wrench can be used to tighten suppressor onto barrel. This is the point of maximum spring load, so some force is required to bring it to this position.



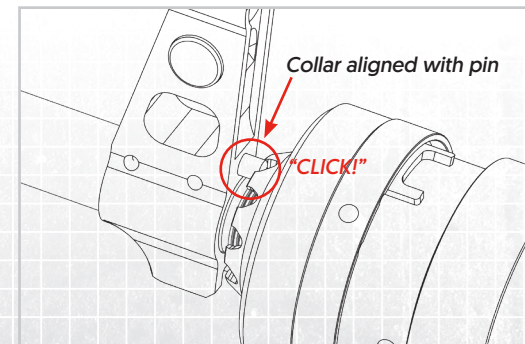
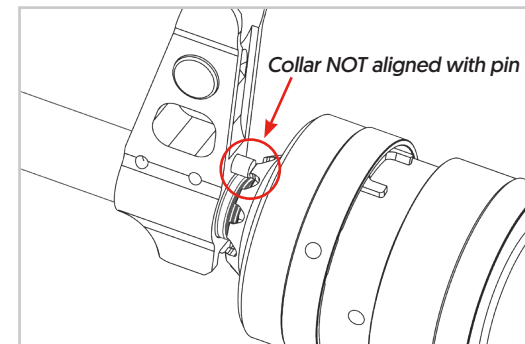
Note: The collar can be locked in each position by tightening the Lock Ring firmly against it. Remember to ensure that the Lock Ring is unscrewed to the point that the threads underneath it are just visible to get full travel of the Collar.



BE CAREFUL NOT TO PINCH YOURSELF ON A LOCK RING THAT HAS NOT BEEN THREADED FULLY FORWARD!

4: MOUNTING TO HOST FIREARM

1. Ensure weapon is unloaded and pointed in a safe direction.
2. Remove any compensator from the host weapon. Remember that many metric threaded barrels have left-hand (opposite) threads. Some compensators are pinned on and may need a gunsmith to remove.
3. Ensure the Collar is set to position #2 or #3 so that the notches will not hit the weapon's front sight post pin while tightening.
4. Thread the suppressor onto the barrel. Note that the standard 14mm Thread Adapter supplied with your Wolverine is left-hand threaded and it will come to rest on the muzzle face. Expect to see some threads remaining when fully tightened.
5. To hand tighten the suppressor, the Collar only needs to be in position #2. Use the knurled body to enhance your grip to firmly tighten the suppressor.
6. We recommend to use a wrench to lightly torque the suppressor into place. This will require the Collar to be in position #3, which will expose more of the wrench flats.
7. With the suppressor tight on the barrel, ensure the Lock Ring is fully loosened and then compress the Collar to move and rotate it from position #2 or #3 back to position #1. The teeth of the Collar will then be in a position to engage the pin.



If the notches of the Collar do not automatically align and fall on the pin, rotate the collar slightly in either direction for the closest notch to fall onto the pin. The pin will give slightly under its spring load. If the pin has a mushroomed face or burrs from use with other muzzle devices, it may need the edges cleaned up slightly to engage properly in the Collar. The Collar is designed for a .154" diameter pin.

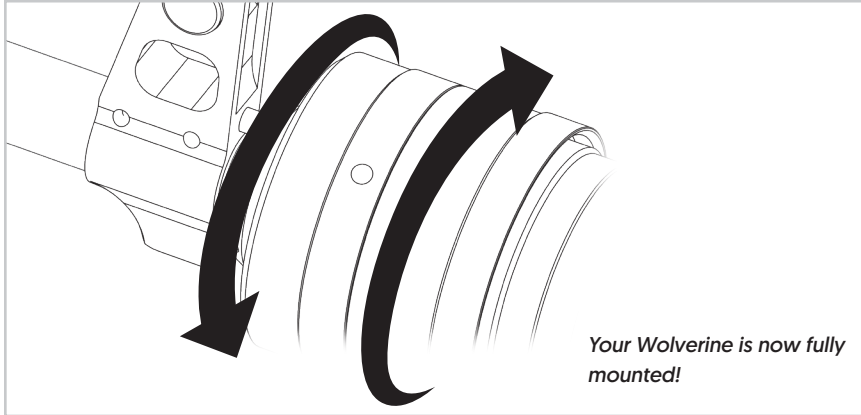
MOUNTING TO HOST FIREARM (CONTINUED)

NOTE: ENSURE THE COLLAR HAS NOT BEEN TURNED TO THE REMOVAL GAP (BOTH DIMPLES ALIGNED). THIS WILL ALLOW THE COLLAR TO BE LOOSE FROM THE SUPPRESSOR AND IT WILL MOSTLY LIKELY CONTACT THE FRONT SIGHT POST. IF THE LOCK RING IS TIGHTENED AT THIS POINT IT WILL PUSH AGAINST THE FRONT SIGHT POST. THIS IS AN OPPOSITE FORCE TO THE ONE PROVIDED BY THE TORQUED-ON SUPPRESSOR ON THE BARREL THREADS. THIS CONDITION COULD LEAD TO THE SUPPRESSOR UNSCREWING MORE EASILY.

8. Tighten the Lock Ring by firmly grasping the Collar while tightening the Lock Ring against it. It is recommended to tighten this forcefully as you can to increase the hold of the Collar on the front sight post pin and keep the suppressor from loosening.



BE CAREFUL NOT TO PINCH YOUR HANDS AS YOU THREAD THE LOCK RING BACK AGAINST THE COLLAR!



5. REMOVAL FROM HOST FIREARM

CAUTION: SUPPRESSOR MAY BE VERY HOT!

1. Ensure weapon is unloaded and pointed in a safe direction.
2. Loosen Lock Ring until threads are visible behind it.
3. Pull Collar forward from front sight post pin and rotate into either position #2 or #3.
4. Set to Position #3 if a wrench was used to torque suppressor onto the barrel. Use the same wrench to remove.
5. Set to position #2 if you desire to loosen by hand.

6: REPLACING THREAD ADAPTERS

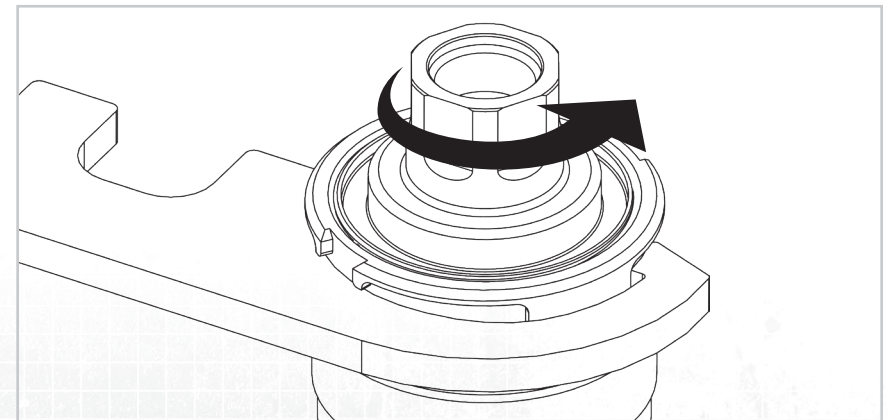
Kalashnikov rifles come in many variants and the Wolverine has been designed to fit as many as possible. There's no reason for your AKSU to not have some quiet time too.

Replacing the Thread Adapter will require you to identify what kind of thread is on your host weapon of choice. Here's a selection of the most widely used threads:

| Thread | Part # | Typically used on: | Socket |
|------------|--------|--------------------|---------------|
| M14X1 LH | WX102 | AK-47, AKM | 19mm, 3/4" |
| M24X1.5 RH | WX103 | KRINKOV, AK-74 | 27mm, 1-1/16" |
| M26X1.5 LH | WX104 | PAP M92, M85 | 1-1/8" |

1. Remove Collar and Spring as described in section 1.
2. Tighten a Wolverine specific collet wrench into a vice so that it is sitting horizontally with the opening away from you.
3. Insert the suppressor into the wrench so that the collet hook engages the large, flat, cam face. It may be a tight fit, so the suppressor may need to be rotated into the collet hook.
4. Use a torque wrench with appropriate socket to loosen the old Adapter and set aside.

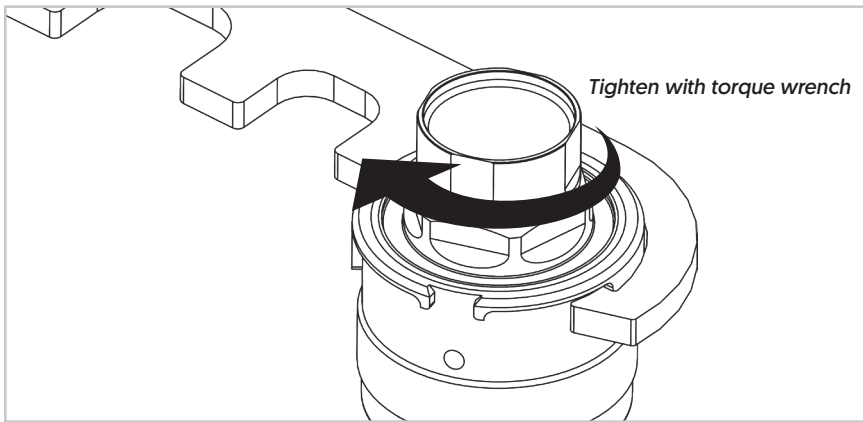
CAUTION: ONLY USE SOCKET WRENCHES TO TIGHTEN THE ADAPTERS AS OPEN ENDED WRENCHES OR BOX WRENCHES MAY CAUSE DAMAGE.



Continued...

REPLACING THREAD ADAPTERS (CONTINUED)

5. Lube the threads of the new Adapter with anti-seize or moly lube and thread into place until it bottoms out inside the suppressor.
6. Flip the collet wrench over and re-tighten in vice so that it is open and facing you.
7. Insert suppressor so that the large cam face engages the collet hook.
8. Tighten the new Adapter into place with the proper socket and torque wrench. Torque should be 40-50 ft-lbs.



THE 24MM ADAPTER SHOWN HAS TWO WRENCH FLATS. THE LARGE FLATS ARE FOR TORQUEING ONTO THE SUPPRESSOR. THE SMALLER FLATS ARE FOR TIGHTENING ONTO A BARREL. ONLY ENGAGE THE SMALL FLATS WHEN ON A BARREL AND ONLY WITH ENOUGH TORQUE TO JUST KEEP IT TIGHT ON THE BARREL. (LESS THAN 15 FT-LBS)

9. Repeat the removal and installation steps above on the new Adapter to ensure an accurate torque has been obtained.
10. Replace the Spring and place the new matching Collar as described.

CONGRATULATIONS COMRADE! YOUR WOLVERINE IS NOW READY FOR ACTION ON A NEW HOST WEAPON!



IF THE SUPPRESSOR DOES NOT SMOOTHLY THREAD ONTO YOUR FIREARM STOP THE INSTALLATION PROCESS AND CONTACT OUR CUSTOMER SERVICE DEPARTMENT. FAILURE TO PROPERLY INSTALL YOUR SUPPRESSOR COULD RESULT IN SERIOUS INJURY, DAMAGE TO THE SUPPRESSOR, THE HOST WEAPON, THE USER, AND/OR A THIRD PARTY.

7: DISASSEMBLY & CLEANING

Typically there is very little maintenance needed with respect to your suppressor other than to keep the threads clean and to wipe down the outside with good quality gun oil. The suppressor has a Nitride and Cerakote™ exterior finish. The finish is extremely durable but some care should be taken concerning exposure to various solvents. Always test a small area before applying a solvent to the suppressor as a whole. No cleaning of the inside of the suppressor is required.

8. DISCLAIMER:

The manufacturer is not responsible for damages or injuries due to the misuse or unintended use of its products. This product is potentially dangerous and, as such, adequate safety precautions must be taken in order to avoid damage to your firearm, damage to third parties, bodily injury or death. Please consult our website for further details at:

WWW.DEADAIRSILENCERS.COM OR CALL 801-857-4232

9. WARRANTY:

There is a limited lifetime warranty against all manufacturing defects and damages caused by the normal use of this product. The manufacturer will repair or replace free of charge any suppressor manufactured by or, at the direction of, Sound Moderation Technologies. The product is sold "as is" with no further implied contractual rights or warranties beyond those expressly stated herein.

The warranty does not apply to certain conditions or acts. It is at the sole discretion and determination of Sound Moderation Technologies if a particular defect or condition is covered by this Warranty. Conditions not covered include, but are not limited to: Modifications, Abuse, Neglect, Use of Defective Ammunition, Use of Improperly Sized Ammunition, and Criminal Conduct. Sound Moderation Technologies assumes no liability for damages or bodily injury caused by such acts or omissions as previously described. Abuse and Neglect are defined as usage outside of the reasonable scope for which the product is intended thus contributing to the accelerated and unreasonable premature wear of the suppressor itself.

If a repair is indicated then the owner must contact our Customer Service Department at 801-857-4232. A Dead Air Silencers representative will make arrangements for return of the suppressor at manufacturer's shipping expense. **DO NOT SHIP THE SUPPRESSOR FOR REPAIR WITHOUT FIRST CONTACTING CUSTOMER SERVICE AND DO NOT SHIP IN ANY EVENT WITHOUT A COPY OF THE APPROVED BATF FORM.** When you ship the suppressor back to the manufacturer, please include a detailed statement concerning the type of defect or malfunction encountered and describe the ammunition used and type of host weapon the product was used on or attached.

If for any reason that your suppressor is not eligible for repair or replacement, you may purchase a replacement suppressor for 50% off the MSRP for a same or similar suppressor.

10. LAWFUL USE AND POSSESSION:

Your new suppressor is an NFA weapon and is not legal not own or possess in certain jurisdictions. Sound Moderation Technologies does not offer any express or implied promises or affirmations concerning the use, possession, or ownership of your suppressor. If you have any questions concerning the ownership, possession, or use of your suppressor contact the chief local law enforcement officer in the jurisdiction in which you reside or your local BATF office for further information concerning the ownership, use, and possession of NFA controlled weapons.

HELPFUL OWNERSHIP INFORMATION

ALWAYS MAINTAIN A COPY OF THE APPLICABLE BATF DOCUMENTS TO YOUR SUPPRESSOR WITH THE SUPPRESSOR ITSELF WHENEVER TRANSPORTING OR USING YOUR SUPPRESSOR. FAILURE TO DO SO COULD RESULT IN CONFUSION, PROSECUTION, OR CONFISCATION OF YOUR NFA CONTROLLED WEAPONS. BETTER SAFE THAN SORRY.

11. CONTACT INFORMATION:

You can contact us directly by telephone at 801-857-4232 or visit our website at www.deadairsilencers.com.

Thank you once again for supporting our products and feel free to contact us with any inquiries or concerns that you might have.





123456789
www.P65Warnings.ca.gov

⚠ Warning: This product can expose you to chemicals including lead, which is known to the State of California to cause cancer and birth defects or other reproductive harm. For other information go to www.P65Warnings.ca.gov