

MOJAVE 45™

OWNERS MANUAL



DEAD AIR
silencers



WELCOME TO DEAD AIR SILENCERS

Thank you for purchasing our products and supporting the Second Amendment.

Our company was co-founded by a trio of the industry's true icons, Mike Pappas, Todd Magee, and Eric Rogers, and is supported through distribution and manufacturing by our industry partners. The goal of our company is simply to make the best firearm sound suppressors on the market. Every suppressor is manufactured in the U.S.A. by American craftsmen utilizing the finest materials. As our founders say "We wouldn't have it any other way. We want the best products made by Americans for Americans." That said, it's our customers that make our products possible and we appreciate each and every one of you that have supported us.

The products are only as good as the customer service supporting them. We place an absolute premium on customer service. We expect and demand that our customers receive prompt and rewarding care and support. Feel free to contact us with any questions or concerns and thank you once again for your support.



TABLE OF CONTENTS

PRODUCT OVERVIEW	4
INSTALLATION	6
BREAK-IN	9
DISASSEMBLY & CLEANING	9
REASSEMBLY	12
DISCLAIMER	14
WARRANTY	14
LAWFUL USE AND POSSESSION	15
CONTACT INFORMATION	15



FIREARMS ARE DANGEROUS! REVIEW THIS OPERATOR'S MANUAL IN FULL BEFORE USING YOUR SUPPRESSOR. FAILURE TO FOLLOW THE INSTRUCTIONS LISTED BELOW COULD RESULT IN DAMAGE TO YOUR FIREARM AND/OR SERIOUS PERSONAL INJURY OR DEATH. DO NOT ATTEMPT TO USE YOUR FIREARM AND/OR SUPPRESSOR UNTIL YOU HAVE THE PROPER TRAINING TO DO SO.

PRODUCT OVERVIEW:

The Mojave 45 is a modular, multi-caliber pistol/sub-gun/carbine suppressor that provides ultimate suppression in its full-length configuration or an ultra-compact package with the removal of the front sound module. It utilizes cutting-edge additive manufacturing to provide a true balance of ultimate strength, light weight, class leading suppression, and reduced back-pressure to the shooter.



CHECK YOUR FIREARM'S CHAMBER AND MAKE CERTAIN THAT THE FIREARM IS UNLOADED AND THE MAGAZINE REMOVED BEFORE PROCEEDING ANY FURTHER. IF THERE IS ANY QUESTION OR DOUBT, CONSULT THE OPERATOR'S MANUAL APPLICABLE TO YOUR FIREARM AS TO THE PROPER PROCEDURE FOR CLEARING AND/OR UNLOADING YOUR FIREARM. DO NOT INSTALL YOUR NEW SUPPRESSOR ON A FIREARM WITH A CLOSED ACTION!

GENERAL CONSIDERATIONS:

Ammunition: Ammunition will have a huge influence on how your new suppressor functions. Use good quality, factory-new ammunition with your firearm and suppressor. Supersonic ammunition will sound louder out of a suppressed firearm, with the dominant sound coming from the supersonic flight of the projectile, which is a phenomenon the suppressor cannot control. For the most pleasing acoustic performance, choose a high-quality subsonic cartridge. Given the monolithic construction of the Mojave 45, it is also recommended that users employ projectiles that are fully jacketed with no exposed lead. The use of exposed lead projectiles with the Mojave 45 can result in the buildup of lead within the suppressor that can be difficult or impossible to remove. Given that the majority of .22 LR ammunition has fully or partially exposed lead projectiles, it is recommended that users do not shoot .22 LR ammunition through the Mojave 45.



OUR PRODUCTS ARE CALIBER SPECIFIC. UNLESS STATED OTHERWISE ON THE SUPPRESSOR ITSELF OR ON THE PACKAGING, THE MOJAVE 45 SUPPRESSOR WILL NOT FUNCTION SAFELY WITH ANY CARTRIDGE WITH PRESSURES HIGHER THAN 300BLK SUPERSONIC OR CALIBER GREATER THAN 0.45 INCHES. USE OF YOUR SUPPRESSOR OUTSIDE OF ITS INTENDED SCOPE COULD RESULT IN DAMAGE TO YOUR FIREARM, DAMAGE TO PROPERTY, BODILY INJURY, OR DEATH. NOTE THAT THE MOJAVE 45 IS NOT RATED FOR 5.56X45 OR .223, OR SUPERSONIC 45-70 GOV DUE TO THE HIGH HEAT AND EROSIVE PROPERTIES OF THESE CARTRIDGES.

Solvents and Lead Exposure: Discharging suppressed firearms will generate airborne lead that will be deposited in, on and around the host firearm and silencer. Using, handling, and maintaining a silencer can result in exposure to lead and other substances known to cause cancer, birth defects, reproductive issues, and serious physical harm. Always employ Personal protective equipment (PPE) to limit the amount of exposure to lead and other harmful substances and regularly wash your hands and any exposed skin when using and maintaining a firearm and/or suppressor.

Concentricity: In order to reduce the risk of a baffle strike, it is important to ensure that your barrel threads are aligned concentrically with the bore axis of your host firearm's barrel. If you do not have the means to verify this, it is strongly recommended that you have a competent gunsmith verify it for you.

INSTALLATION

STEP ONE: PREPARATION

Your suppressor is intended to be attached to the muzzle end of your firearm. It will thread directly onto your existing barrel, which will vary based on caliber, using either the included Threaded Piston, Accessory Fixed Mount, or Accessory 3-Lug Adapter.

We recommend checking tightness after every magazine of fire using a heat resistant glove. All direct thread suppressors will loosen with use. A loose suppressor will shift the point of impact because of the effect on the host firearm's barrel harmonics and the loss of concentricity. Do not over tighten the suppressor with any assorted tools or wrenches as such actions may result in damage to your firearm, the suppressor, or both. Hand tightening the suppressor onto the barrel is sufficient.

Before installation, ensure the threads of the host firearm's barrel are clean and lubed before carefully threading the suppressor onto the muzzle end of your firearm. Take care not to cross thread or force the suppressor to thread onto the firearm. In the event that the suppressor does not smoothly thread onto your firearm stop the installation process and immediately contact our Customer Service Department for further instruction.

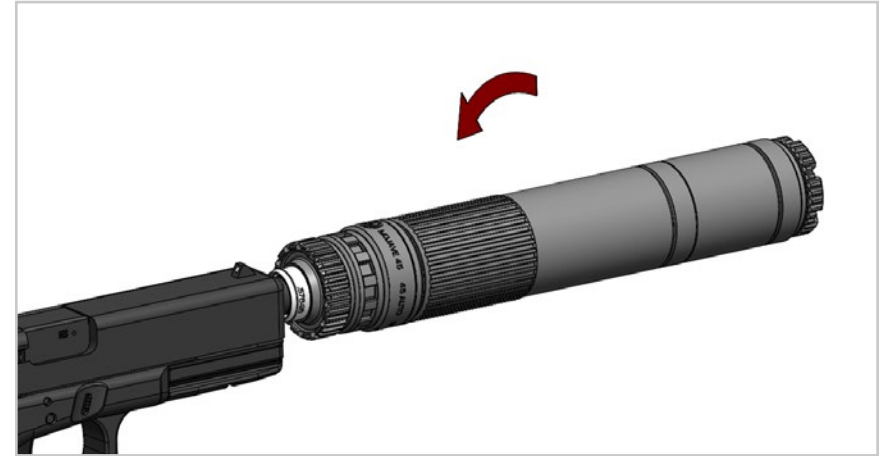
Ensure suppressor is tightened all the way against the index surface of the barrel. Longer threads will require the suppressor to seat on the muzzle and the back of the piston may not contact the shoulder. DO NOT thread onto barrels that don't have a proper shoulder to seat against, or muzzle face that is not cut square to the bore.



IF THE SUPPRESSOR DOES NOT SMOOTHLY THREAD ONTO YOUR FIREARM STOP THE INSTALLATION PROCESS AND CONTACT OUR CUSTOMER SERVICE DEPARTMENT. FAILURE TO PROPERLY INSTALL YOUR SUPPRESSOR COULD RESULT IN SERIOUS INJURY, DAMAGE TO THE SUPPRESSOR, THE HOST FIREARM, THE USER, AND/OR A THIRD PARTY.

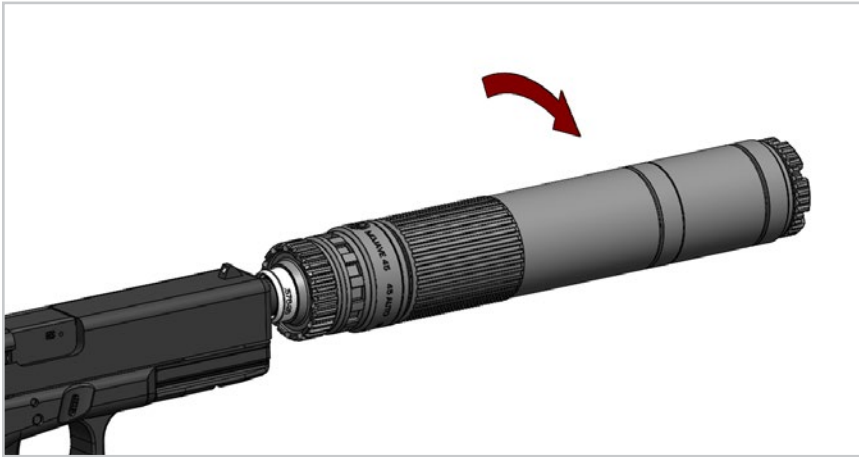
STEP TWO: MOUNTING THE SUPPRESSOR TO BARREL

The suppressor can only go on one way and come off one way. Before use, make sure that the suppressor is firmly and rigidly mounted to the firearm. Failure to do so could result in damages to your firearm and damage to the suppressor. Visually inspect the suppressor after it is mounted in order to confirm that it is mounted straight to the centerline of the bore and is otherwise not canted. If the suppressor is not in line with the bore immediately stop the installation process and contact our Customer Service Department. Use of the suppressor while improperly mounted could cause irreparable harm to your suppressor and will cause poor performance and reduced accuracy.



STEP THREE: REMOVING THE SUPPRESSOR

To remove the suppressor simply rotate the body / end cap of the suppressor counterclockwise until it begins to unthread from the muzzle of the host firearm. If a left-hand metric piston/mount is used, then unscrew by rotating clockwise. Be careful! The suppressor may become extremely hot after use. Never grab a hot suppressor as it can result in burns and injury. When removing the suppressor after use, always grab the suppressor with a high temperature heat pad or glove in a manner to avoid direct contact with your skin.



WHEN REMOVING THE SUPPRESSOR FROM YOUR FIREARM BE EXTREMELY CAUTIOUS AS THE TEMPERATURE OF THE SUPPRESSOR COULD CAUSE BURNS AND OR PERSONAL INJURY TO THE USER. MAKE SURE TO EITHER USE PROTECTIVE GLOVES OR WAIT UNTIL THE SUPPRESSOR COOLS BEFORE ATTEMPTING REMOVAL. PRECAUTIONS MUST BE TAKEN TO AVOID SUCH INJURIES SO EXERCISE CARE WHEN ATTEMPTING TO REMOVE A HOT SUPPRESSOR.



DO NOT OPERATE YOUR SUPPRESSOR UNDER ANY CIRCUMSTANCES IF IT IS NOT PROPERLY MOUNTED ON THE FIREARM! TO DO SO COULD RESULT IN SERIOUS DAMAGE, DEATH AND/OR INJURY TO THE OPERATOR AND THIRD PARTIES. IT WILL RESULT IN DAMAGE TO THE SUPPRESSOR AND WILL GROSSLY AFFECT PERFORMANCE AND/OR ACCURACY AND MAY VOID WARRANTY.

BREAK-IN

Once your suppressor is properly mounted it may require some minimal break in. First shot cold performance is reduced until the suppressor accumulates some residue. This is normal and generally resolves itself after the first 15-20 shots. Thereafter the suppressor will perform at an optimal level without further break in requirements until it is cleaned again. The type of ammunition that you use and the atmospheric conditions present when you shoot the firearm can have a huge influence over performance.

DISASSEMBLY AND CLEANING

Typically, there is very little maintenance needed with respect to your suppressor other than to keep the threads clean and to wipe down the outside with good quality gun oil. The suppressor has a Nitride, anodized, and Cerakote™ exterior finish. The finish is extremely durable but some care should be taken concerning exposure to various solvents. Always test a small area before applying a solvent to the suppressor as a whole. Depending on the type of ammunition that you use, your suppressor should not require disassembly and cleaning of the front and rear Titanium modules for up to 2000 rounds.

The Booster mechanism with the spring and piston should be cleaned every shooting session, and the O-Ring inspected. Replacement O-Rings are available from Dead Air Silencers.

Shooting the suppressor "wet" will soften carbon buildup considerably inside the piston depending on the amount of buildup. To shoot the suppressor wet, pour a water bottle capful (or 3-5 CCs of water) down the piston and into the booster mechanism, mount to pistol, and shoot a magazine or two of ammunition through it. Much of the carbon can then be wiped out of the booster housing after the spring and piston are removed. The Booster Housing, Piston, and Spring can also be removed and submerged into carbon scrubbing chemicals to facilitate cleaning.

The Titanium front and rear modules are monolithic structures and do not individually disassemble. The two modules are best cleaned by submerging them in a mixture of 1-part CLR (Calcium, Lime, Rust Remover) to 3-parts water. Allow the modules to soak fully submerged overnight, then remove the modules and allow them to drain from both ends. If compressed air is available, it can be used to assist in removing remaining cleaning fluid and grime from the modules. Always wear protective gloves and eyewear when cleaning and handling cleaning agents.

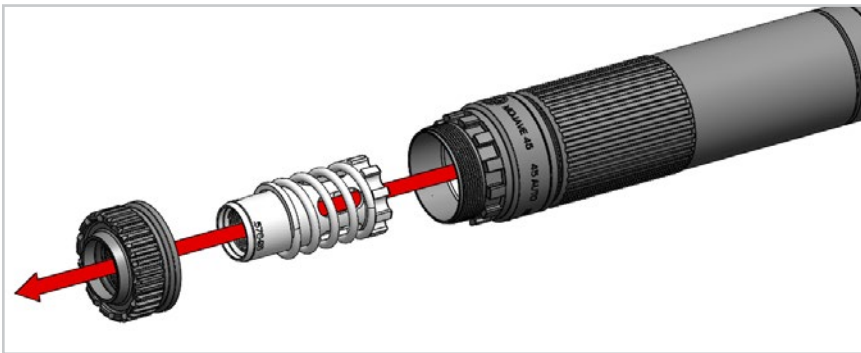
The aluminum front cap and the booster spring retainer should not require cleaning for thousands of rounds because of the lack of buildup that occurs in these areas of the suppressor. These should be cleaned with mild chemicals that are friendly to anodized aluminum.

STEP ONE: REMOVE PISTON OR MOUNT

1. Unscrew the spring retainer and remove the Piston and Spring.
2. The complete booster mechanism may be removed with Dead Air TL1 and TL2 hook spanner tools or a single hook AR-15 Castle Nut Wrench and replaced with a Fixed Mount or 3-Lug adapter for use on fixed barrels. Ensure mounts are secured with the castle nut wrench before use.

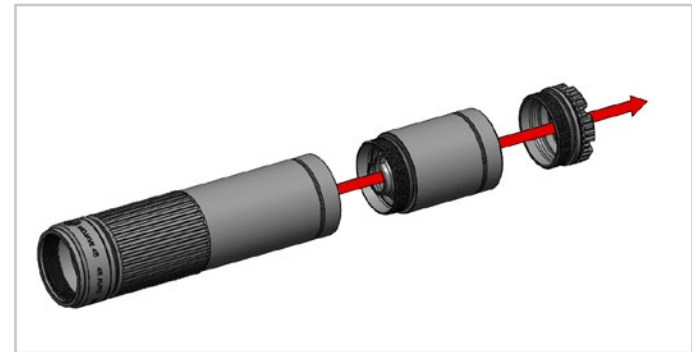


PRECAUTIONS MUST BE TAKEN TO AVOID SUCH INJURIES SO EXERCISE CARE WHEN ATTEMPTING TO REMOVE A HOT SUPPRESSOR.



STEP TWO: REMOVE MODULE

Unscrew the Module from the main body and remove Front Cap.



REASSEMBLY

NOTE: ENSURE ALL THREADS AND BAFFLE ASSEMBLY CONTACT POINTS ARE CLEAN AND FREE OF DEBRIS. IT IS RECOMMENDED THAT YOU APPLY A LIGHT COAT OF GREASE TO THE THREADS PRIOR TO REASSEMBLY.

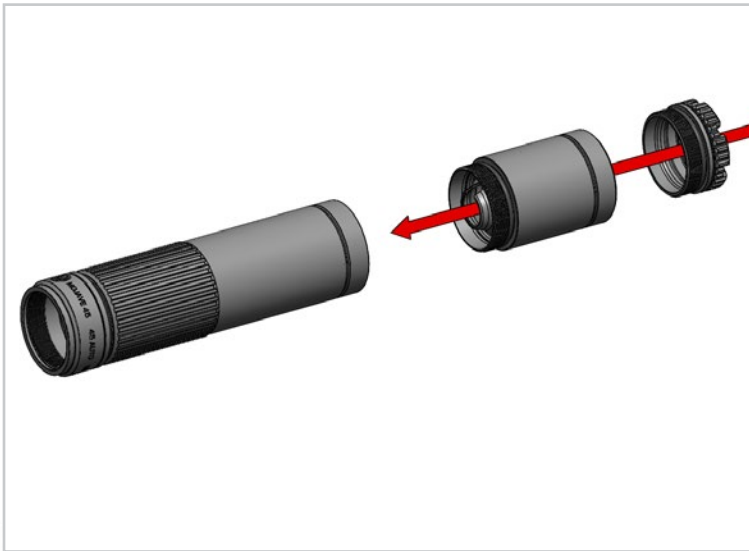
FULL CONFIGURATION

STEP ONE: THREAD FRONT MODULE INTO REAR MODULE

Apply a light coat of grease or anti-seize to the threads on the rear exterior of the Front Module. Thread the Front Module fully into the front of the Rear Module hand-tight. Do not overtighten. Wipe away any excess grease or anti-seize.

STEP TWO: SCREW IN FRONT CAP OR MODULE

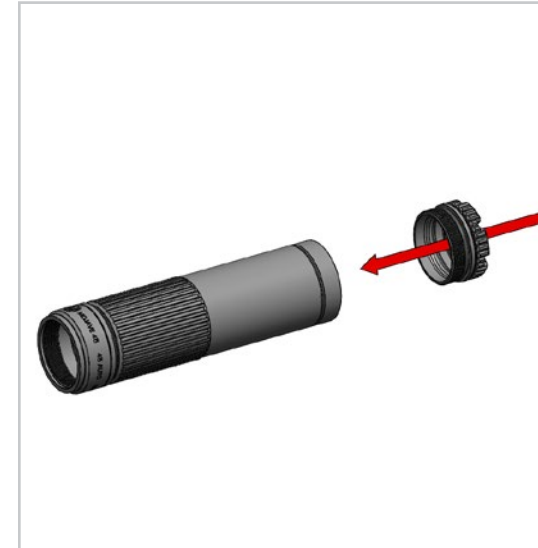
Apply a light coat of grease or anti-seize to the threads on the Front Cap. Thread the Front Cap fully into the Front Module hand-tight. Do not overtighten. Wipe away any excess grease or anti-seize.



COMPACT CONFIGURATION

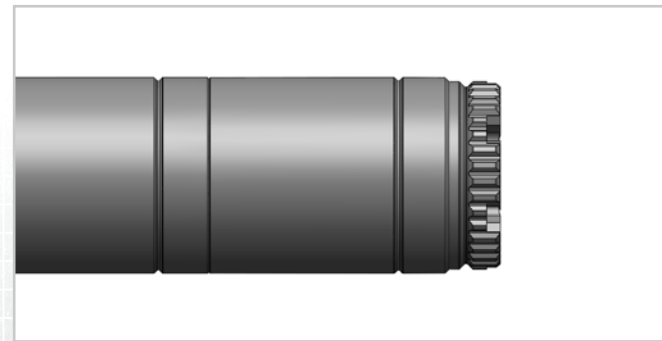
STEP TWO: SCREW IN FRONT CAP OR MODULE

Apply a light coat of grease or anti-seize to the threads on the Front Cap. Thread the Front Cap fully into the front end of the Rear Module hand-tight. Do not overtighten.



INSPECTION UPON ASSEMBLY

The Front Module should thread fully into the Rear Module with no discernable gap present. Likewise, the Front Cap should thread fully and effortlessly into the front of both the Front and Rear Modules with no discernable gap between the front of the modules and the Front Cap flange.



Any questions concerning the performance or care of your suppressor should be directed to our Customer Service Department: info@deadairsilencers.com.

DISCLAIMER:

The manufacturer is not responsible for damages or injuries due to the misuse or unintended use of its products. This product is potentially dangerous and, as such, adequate safety precautions must be taken in order to avoid damage to your firearm, damage to third parties, bodily injury or death. Please consult our website for further details at:

WWW.DEADAIRSILENCERS.COM OR INFO@DEADAIRSILENCERS.COM

WARRANTY:

There is a limited lifetime warranty against all manufacturing defects and damages caused by the normal use of this product. The manufacturer will repair or replace free of charge any suppressor manufactured by or, at the direction of, Dead Air Silencers. The product is sold "as is" with no further implied contractual rights or warranties beyond those expressly stated herein. The warranty does not apply to certain conditions or acts. It is at the sole discretion and determination of Dead Air Silencers if a particular defect or condition is covered by this Warranty. Conditions not covered include, but are not limited to: Modifications, abuse, neglect, use of defective ammunition, use of improperly sized ammunition, and criminal conduct.

Dead Air Silencers assumes no liability for damages or bodily injury caused by such acts or omissions as previously described. Abuse and Neglect are defined as usage outside of the reasonable scope for which the product is intended thus contributing to the accelerated and unreasonable premature wear of the suppressor itself.

If a repair is indicated then the owner must contact our Customer Service Department at info@deadairsilencers.com. A Dead Air Silencers representative will make arrangements for return of the suppressor at manufacturer's shipping expense. **DO NOT SHIP THE SUPPRESSOR FOR REPAIR WITHOUT FIRST CONTACTING CUSTOMER SERVICE AND DO NOT SHIP IN ANY EVENT WITHOUT A COPY OF THE APPROVED BATF FORM.**

When you ship the suppressor back to the manufacturer, please include a detailed statement concerning the type of defect or malfunction encountered and describe the ammunition used and type of host firearm the product was used on or attached. If for any reason that your suppressor is not eligible for repair or replacement, you may purchase a replacement suppressor for 50% off the MSRP for a same or similar suppressor.

LAWFUL USE AND POSSESSION:

Your new suppressor is an NFA firearm and is not legal to own or possess in certain jurisdictions. Dead Air Silencers does not offer any express or implied promises or affirmations concerning the use, possession, or ownership of your suppressor. If you have any questions concerning the ownership, possession, or use of your suppressor contact the chief local law enforcement officer in the jurisdiction in which you reside or your local BATF office for further information concerning the ownership, use, and possession of NFA controlled firearms.

HELPFUL OWNERSHIP INFORMATION

ALWAYS MAINTAIN A COPY OF THE APPLICABLE BATF DOCUMENTS TO YOUR SUPPRESSOR WITH THE SUPPRESSOR ITSELF WHENEVER TRANSPORTING OR USING YOUR SUPPRESSOR. FAILURE TO DO SO COULD RESULT IN CONFUSION, PROSECUTION, OR CONFISCATION OF YOUR NFA CONTROLLED FIREARMS. BETTER SAFE THAN SORRY.

8. CONTACT INFORMATION:

You can contact us directly by email at info@deadairsilencers.com, or visit our website at www.deadairsilencers.com.

Thank you once again for supporting our products and feel free to contact us with any inquiries or concerns that you might have.



THE FINEST INSTRUMENTS OF SILENCE™



Rev010825

⚠ Warning: This product can expose you to chemicals including lead, which is known to the State of California to cause cancer and birth defects or other reproductive harm. For other information go to www.P65Warnings.ca.gov